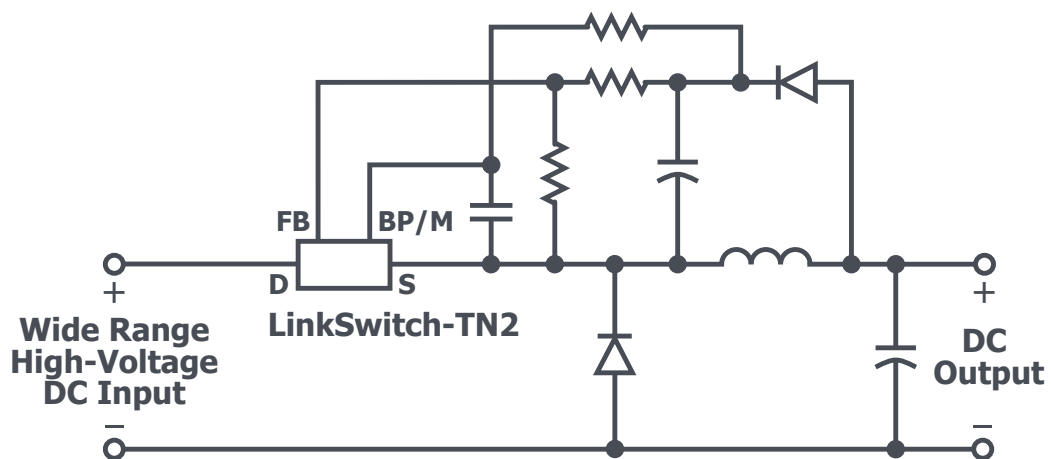


LinkSwitch™-TN2

- Available with 725 V and robust 900 V MOSFETs
- Up to 575 mA output current
- <100 μ A standby current
- Excellent line and load regulation
- Low component count



Off-line Buck Switcher ICs with Integrated System-Level Protection



PI-7841-041816

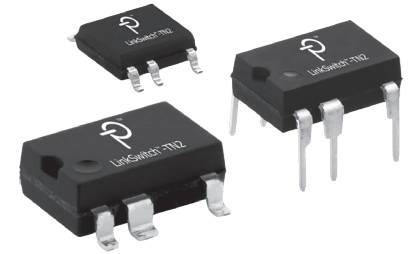
Applications

- Smart LED drivers and industrial controls
- IoT, home and building automation
- Appliances
- Metering

Output Power

Product	725 V MOSFET			
	230 VAC ±15%		85-265 VAC	
	MDCM (mA)	CCM (mA)	MDCM (mA)	CCM (mA)
LNK3202P/G/D	63	80	63	80
LNK3204P/G/D	120	170	120	170
LNK3205P/G/D	175	270	175	270
LNK3206P/G/D	225	360	225	360
LNK3207P/G/D	360	575	360	575

MDCM: Maximum Discontinuous Conduction Mode
CCM: Continuous Conduction Mode



Package Options:
P = PDIP-8C, G = SMD-8C, D = SO-8C

Product	900 V MOSFET			
	230 VAC ±15%		85-265 VAC	
	MDCM (mA)	CCM (mA)	MDCM (mA)	CCM (mA)
LNK3294P/G	120	170	120	170
LNK3296P/G	225	360	225	360

Design Support

- Data Sheet** [LinkSwitch-TN2 data sheet \(www.power.com/linkswitch-tn2-data-sheet\)](http://www.power.com/linkswitch-tn2-data-sheet)
- Reference Design** [6.6 W non-isolated buck converter using LNK3207D \(RDR-912\) \(www.power.com/rdr-912\)](http://www.power.com/rdr-912)
- Reference Design** [4.8 W Non-Isolated Buck Converter using 900 V LinkSwitch-TN2 LNK3296G/P \(DER-845\) \(www.power.com/der-845\)](http://www.power.com/der-845)
- Application Note** [LinkSwitch-TN2 design guide \(AN-70\) \(www.power.com/an-70\)](http://www.power.com/an-70)