

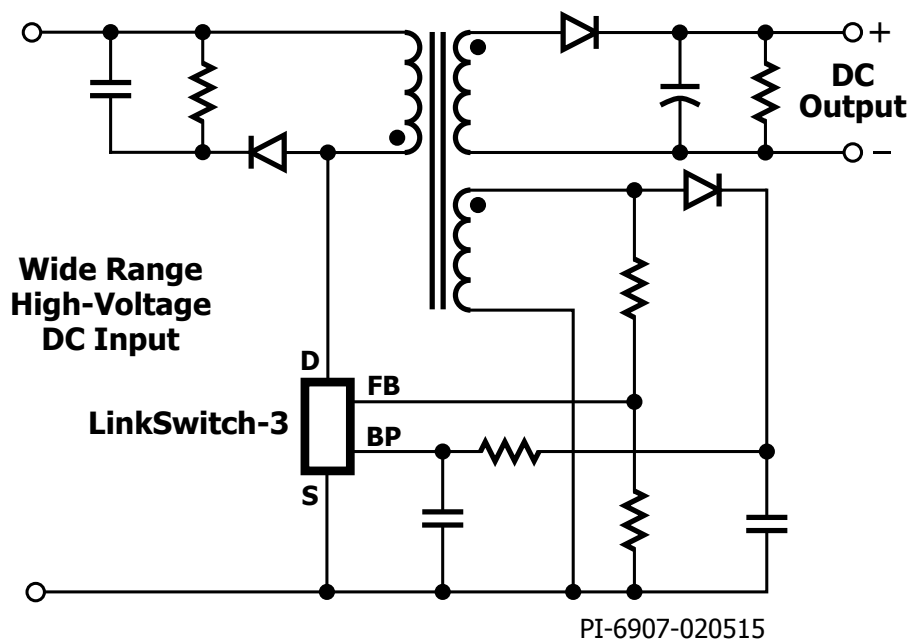
# LinkSwitch™-3



## Key Features

- Isolated and non-isolated flyback conversion
- CV/CC output
- Accurate primary-side regulation - eliminates optocouplers
- 725 V integrated MOSFET

## Energy-Efficient, Accurate Primary-Side Regulation CV/CC Switcher



## Applications

- Chargers for cell/cordless phones, portable audio devices, adapters, and auxiliary power supplies

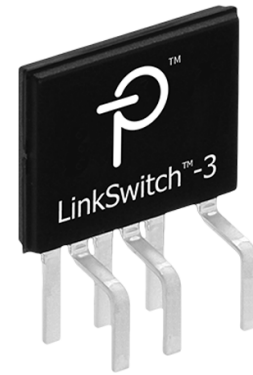
## Output Power

90-264 VAC, D (SO-8C) Package

| Part Number  | Adapter (W) | Open Frame (W) |
|--|-------------|----------------|
| LNK6404D / LNK6424D  | 3.5         | 4.1            |
| LNK6405D / LNK6415D /<br>LNK6425D                          | 4.5         | 5.1            |
| LNK6406D / LNK6416D /<br>LNK6426D / LNK6436D /<br>LNK6446D | 5.5         | 6.1            |
| LNK6407D / LNK6417D /<br>LNK6427D                          | 7.5         | 7.5            |

E (eSIP-7C) and K (eSOP-12B) Packages

| Part Number                                  | Adapter (W) | Open Frame (W) |
|--|-------------|----------------|
| LNK6407K / LNK6417K /<br>LNK6427K            | 8.5         | 9              |
| LNK6408K / LNK6418K /<br>LNK6428K / LNK6448K | 10          | 10             |
| LNK6408E / LNK6418E /<br>LNK6428E / LNK6448E | 10          | 10             |



Packages: D: SO-8C, E: eSIP-7C,  
K: eSOP-12B

## Design Support

- Data Sheet      LinkSwitch-3 data sheet ([www.power.com/linkswitch-3-data-sheet](http://www.power.com/linkswitch-3-data-sheet))
- Application Note      LinkSwitch-3 family design guide (AN-61) ([www.power.com/an-61](http://www.power.com/an-61))
- Reference Design      8.4 W power supply using LinkSwitch-3 (RDR-734) ([www.power.com/rdr-734](http://www.power.com/rdr-734))