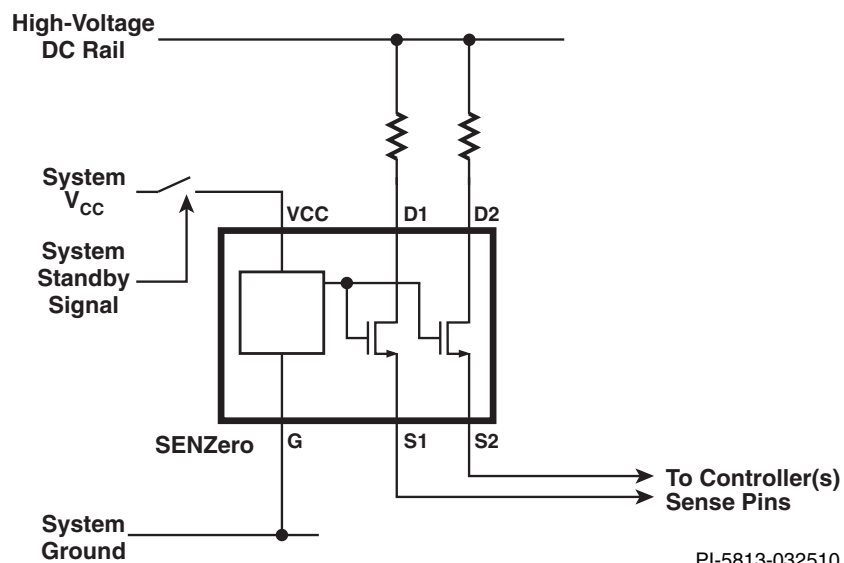




Zero-Loss, High-Voltage Sense Signal Disconnect IC



Applications

- AC-DC converters with high-voltage resistive signal paths
- Very low standby systems such as those meeting EuP Lot 6 and similar energy efficiency standards

Output Power

Part Number	Integrated Disconnect MOSFETs	230 VAC Power Consumption in Standby (mW)
SEN012DG	2	<1
SEN013DG	3	<1.5



SO-8 (D package)

Design Support

Data Sheet SENZero data sheet (www.power.com/senzero-data-sheet)

Video SENZero product demo (www.power.com/senzero-video)