

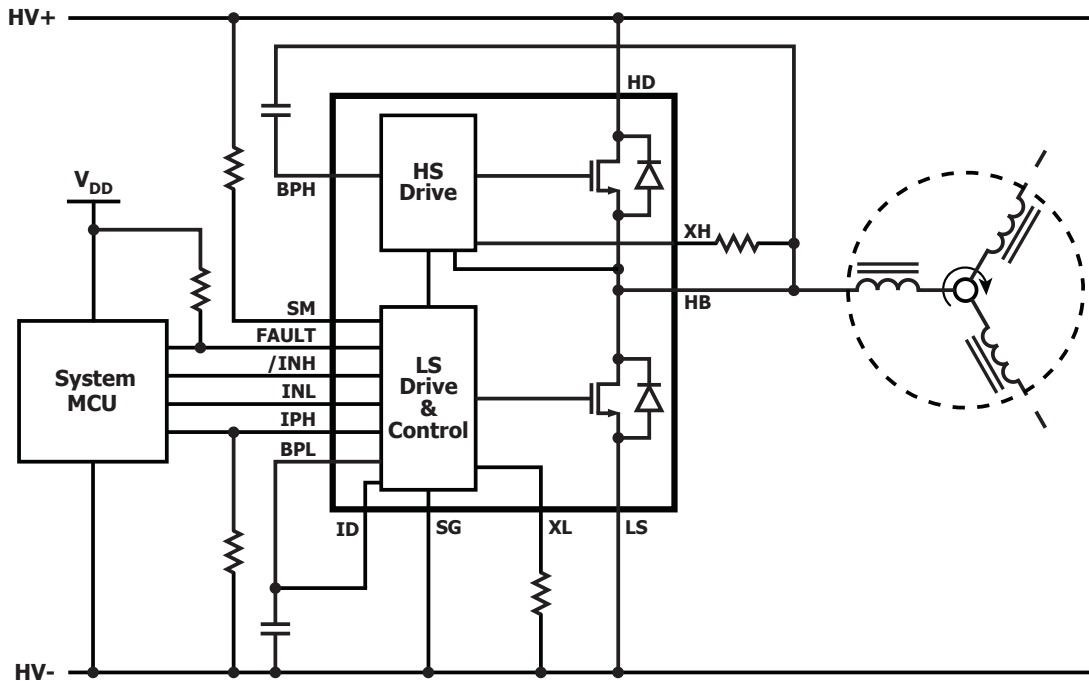
BridgeSwitch™



Key Features

- Up to 99.2% efficient — no heatsinks
- Fully integrated half-bridge stage
- Hard-wired protection simplifies software
- Device and system diagnostic through single-wire bus
- Works with popular motor control microcontrollers

High-Voltage, Self-Powered, Half-Bridge Motor Driver



PI-8314-091718

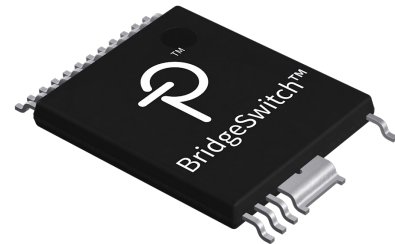
Applications

- Single and multi-phase high-voltage PM and BLDC motor drives
- Industrial and factory automation equipment
- Fans, pumps and compressor motor drives in appliances and HVAC (air conditioning, dishwashers, refrigerators, range hoods)

Output Power

Part Number	DC Output Current (A)	Continuous RMS Current (A)
BRD1160C BRD1260C	1.0	0.22
BRD1161C BRD1261C	1.7	0.50
BRD1163C BRD1263C	3.0	0.75
BRD1165C BRD1265C	5.5	1.00
BRD1167C BRD1267C	11.5	1.33

BRD126xC: Includes positive phase current output



InSOP-24C Package

Design Support

- Data Sheet BridgeSwitch data sheet (www.power.com/bridgeswitch-data-sheet)
- Application Note BridgeSwitch in single phase BLDC motor drive (AN-87) (www.power.com/an-87)
- Application Note BridgeSwitch design tips, techniques and troubleshooting guide (AN-83) (www.power.com/an-83)
- Reference Design 300 W high thermal performance 3-phase inverter using BridgeSwitch motor driver and LinkSwitch-TN2 (RDR-853) (www.power.com/rdr-853)
- Reference Design 50 W output, three-phase AC fan motor drive (RDR-851) (www.power.com/rdr-851)
- Reference Design 300 W stand-alone inverter (DER-654) (www.power.com/der-654)