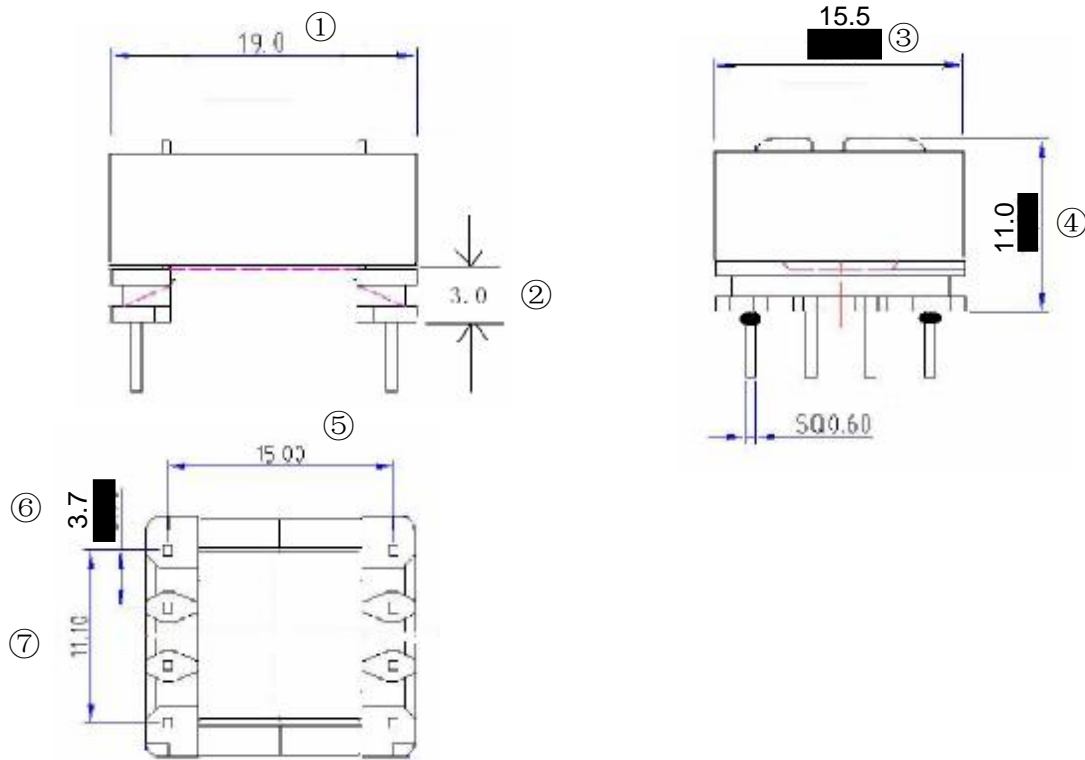


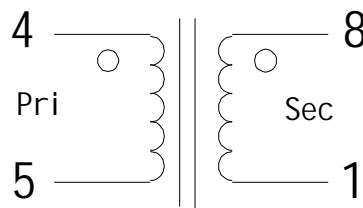
A) Physical Dimensions:



B) Layer Construction:

Tape 2Ts
Secondary
Tape, 2Ts
Primary
Bobbin

C) Electrical Schematic:



D) Winding Information:

Sequence	Item	Material	Start	Finish	Turns
1	Pri	Enamelled Copper wire, 2UEW, 0.16mmx2	4	5	80
2	Sec	Triple Insulated Wire, TRW(B), 0.4mm	8	1	16

E)Core Air Gap:

The core center leg shall be gapped, providing the required inductance.

F)Vacuum Varnishing:

Vacuum Varnishing.

G)Electrical Characteristics:

Inductance(@10kHz, 0.3V)	Pin4-5	770.0uH+/-10%
	Pin8-1	31.5uH+/-10%
DC Resistance(@20°C)	Pin4-5	1.2 Ω Max
	Pin8-1	100mΩ Max
Dielectrics Strength	W-C	1500VAC, 3s, 1mA max
	W-W	3000VAC, 3s, 1mA max

H)Material List:

Item	Material	Manufacture	UL file
Core	Ferri te core, EVD15, PC40 or 3C90	TDG	--
Bobbin	Phenolic T375J, EVD15, Horizontal , 8 Pins	CHANG CHUN PLASTICS CO., LTD	E59481(S)
Magnet Wire	Polyurethane Enamelled Copper Wire	JiangMen City JiangCi Electrical Appliances Co.,Ltd	E192838
		XinLong Magnet Wire Co.,Ltd	E171082
	Triple Insulated Wire, TRW(B),	YONGCHANGSILICONE -CO-LTD	E236542
Insulation Tape	Polyester Film Tape, #1350F	JingJiang Yahua Pressure Sensitive Glue Fty	E165111(N)
Varnish	8562/C, MW28	Advanced Ink&Coatings Ltd	E200154