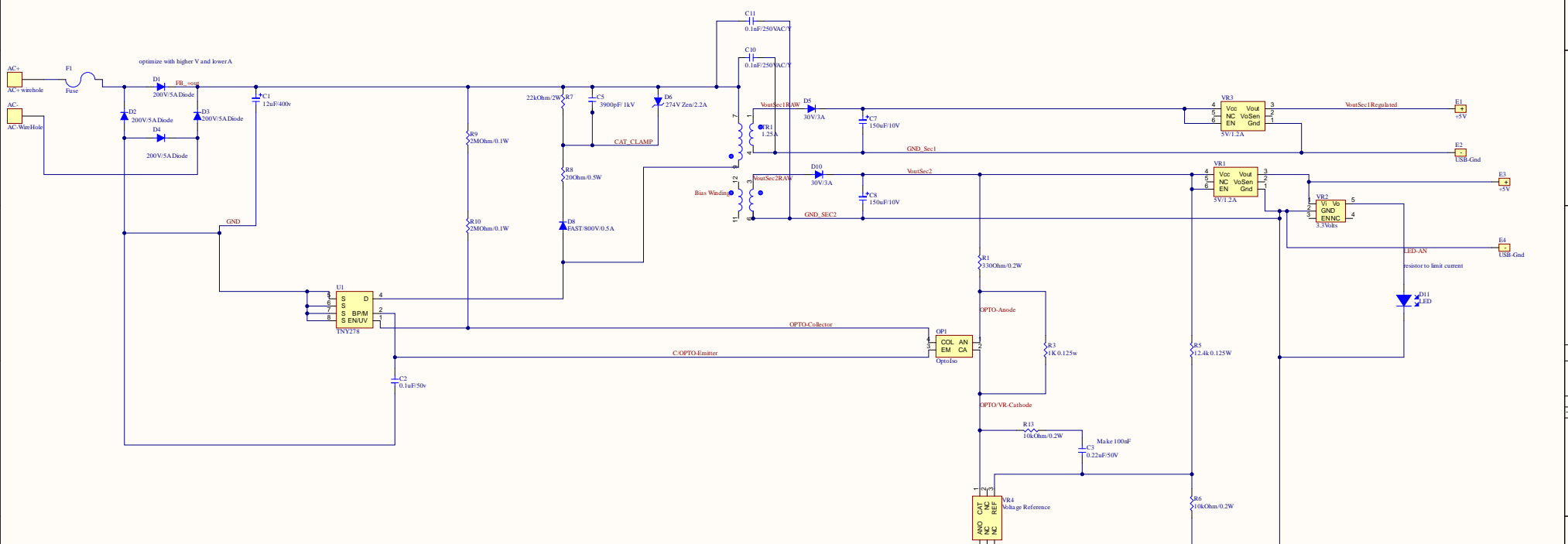
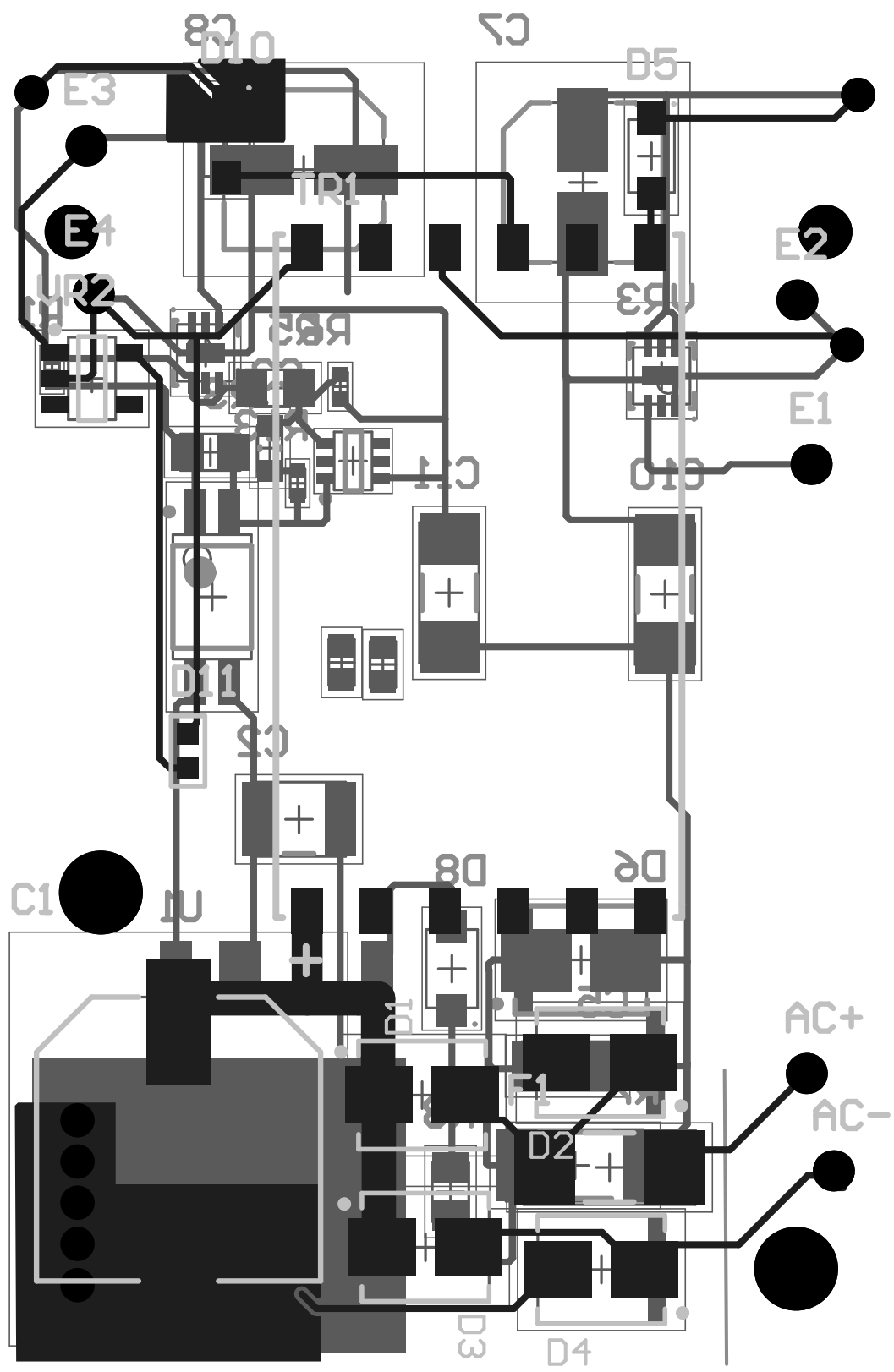


THIS DOCUMENT AND THE DATA DISCLOSED HEREIN OR HEREWITH IS THE PROPERTY OF ALTIUM LIMITED AND MAY BE FREELY DISTRIBUTED IN WHOLE. NO RIGHTS ARE RESERVED OR EXPRESS OR IMPLIED WARRANTY GIVEN.

REV	DESCRIPTION	DATE	APPROVED
1			



APPROVALS	DATE	PROJECT	Altium
ENG: -			
DSN: -			
CHR: -			
BSM: -			
REF: -			
DESIGN: -			
PCB: -			
SCALE: C	FILE NAME: 5VoltJob_TNY-III_SchDoc	SHEET: 1	REV: 1



Comment	Description	Designator	Footprint	LibRef	Quantity
AC-WireHole		AC-	ACinHole	AC- wirehole	1
AC+ wirehole		AC+	ACinHole	AC+ wirehole	1
12uF/400v	Cap Aluminum Lytic 12uF 400V 20% (10 X 13.5mm) SMD 55mA 3000h 105°C Automotive T/R	C1	ULR2G120MNL1GS	ULR2G120MNL1GS	1
0.1uF/50v	CAP CER 0.1UF 50V 10% BX 1210	C2	CDR33BX104AKUS795 6	CDR33BX104AKUS795 6	1
0.22uF/50V	CAP CER 0.22UF 50V X5R 0603	C3	CGA3E3X5R1H224M08 0AB	CGA3E3X5R1H224M08 0AB	1
3900pF/ 1kV	CAP CER 3900PF 1KV X7R 1206	C5	C1206C392KDRAC780 0	C1206C392KDRAC780 0	1
150uF/10V	Aluminum Electrolytic Capacitors - SMD 10V 150uF TOL 20%	C7, C8	UCM1A151MCL1GS	UCM1A151MCL1GS	2
0.1nF/250VAC/Y	Cap Cer 1000PF 250VAC X7R 1808	C10, C11	VAGUELY- SCC1808X102K502TG	SCC1808X102K502TG	2
200V/5A Diode	DIODE SCHOTTKY 200V 5A SMB	D1, D2, D3, D4	DIOM4436X02N	SK520BTR	4
30V/3A	Diode Schottky 30V 3A Automotive 2-Pin PMDU T/R	D5, D10	RBR3MM30ATFTR	RBR3MM30ATFTR	2
274V Zen/2.2A	Diode TVS Single Uni- Dir 171V 600W 2-Pin SMB T/R	D6	SMBJP6KE200A-TP	SMBJP6KE200A-TP	1
FAST/800V/0.5A	the foot print is right	D8	S15MLWHRVG	RSFKL RVG	1
LED	Green1.6 x 0.8 x 0.95 mm 60° 1000 mcd Clear Surface Mount Chip LED	D11	LED-3.3V	APTD1608ZGC	1
+5V		E1, E3	USBmainBoardtoSeco ndary_hole	+5V	2
USB-Gnd		E2, E4	USBmainBoardtoSeco ndary_hole	-5V	2
Fuse	FUSE BOARD MNT 5A 350VAC 60VDC	F1	FUSE 0679H5000-05	0679H5000-05	1
OptoIso	Optocoupler DC-IN 1- CH Transistor DC-OUT 4-Pin SSOP T/R	OP1	EL3H7-G_SOIC-4	EL3H7(B)(TA)-VG	1
330Ohm/0.2W	RES SMD 330 OHM 1% 1/5W 0402	R1	RES_ERJ_PA2_1005	ERJ-PA2F3300X	1
1K 0.125w	RES 1K OHM 0.1% 1/8W 0805	R3	RES_ERA_6A_2012_	ERA6ARB102V	1
12.4k 0.125W	Res Thick Film 0805 12.4K Ohm 1% 1/8W 100ppm/C Molded SMD SMD Punched Carrier T/R	R5	RES_ERJ_6EN_2012	ERJ-6ENF1242V	1
10kOhm/0.2W	0402 high power anti- surge resistor 0402 anti-surge resistor 5% 10Kohm	R6, R13	RES_ERJ_PA2_1005	ERJ-PA2J103X	2
22kOhm/2W		R7	350222KFT	350222KFT	1
200hm/0.5W	Res Thick Film 0805 20 Ohm 5% 0.25W ±300ppm/°C Molded SMD Punched Carrier T/R	R8	RES_ERJ_P06	ERJ-P06J200V	1
2MOhm/0.1W	RES SMD 2M OHM 5% 1/10W 0603	R9, R10	RMCF0603JT2M00	RMCF0603JT2M00	2
1.25A	TRANSFORMER OFFLINE 1.31MH 4000V	TR1	760871113	760871113	1
TNY278	IC OFFLINE SWIT OVP OTP HV 8SMD	U1	TOP257GN-TL	TNY278GN-TL	1
5V/1.2A	STMICROELECTRONIC S - LDL212PU50R - Fixed LDO Voltage Regulator, 2.5V to 18V, 350mV drop, 5V/1.2A out, DFN-EP- 6	VR1, VR3	LDL212PU50R- DFN6_package	LDL212PU50R	2
3.3Volts	LDO Regulator Pos 3.3V 0.15A Medical 5- Pin SOT-23 T/R	VR2	SOT95P280X145-5N	TPS70633DBVT	1
Voltage Reference	IC VREF SHUNT ADJ SC70	VR4	TL431QDCKR_SOT363	TL431QDCKR	1