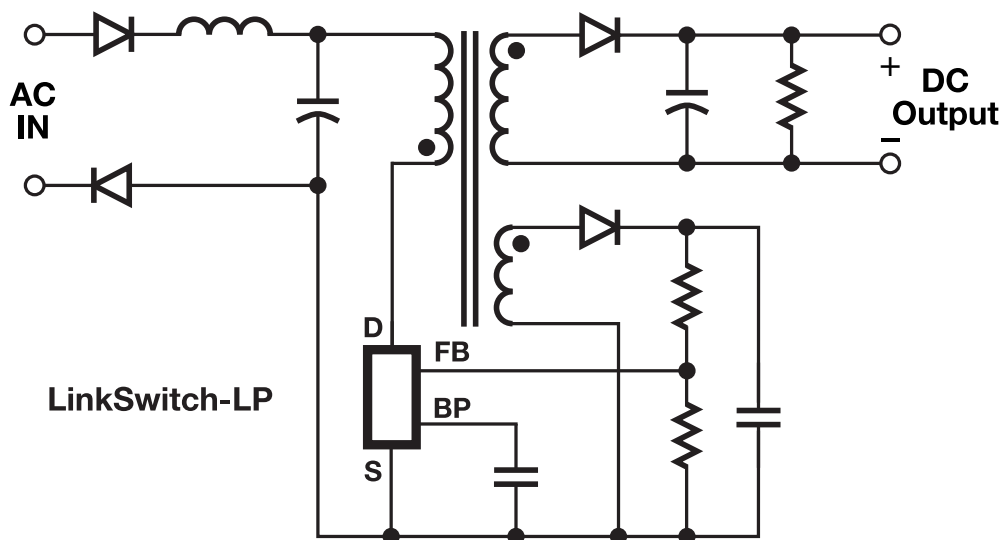


# LinkSwitch™ -LP

- Cost effective BOM for low power <3 W applications
- Clampless design reduces component count and increases efficiency
- <30 mW no load



## Lowest Component Count Switcher for Linear Transformer Charger Replacement



PI-3923-092705

## Applications

- Cell/cordless phones
- Portable audio devices
- Power tools
- Personal consumer appliances (e.g., shavers)
- Standby and auxiliary power supplies

---

## Output Power

Part Number	230 VAC $\pm$ 15%		85-265 VAC	
	Adapter (W)	Open Frame (W)	Adapter (W)	Open Frame (W)
LNK562P/G/D	1.9	1.9	1.9	1.9
LNK563P/G/D	2.5	2.5	2.5	2.5
LNK564P/G/D	3	3	3	3



DIP-8C (P package); SMD-8B (G package);  
SO-8C (D package)

---

## Design Support

<b>Data Sheet</b>	LinkSwitch-LP data sheet ( <a href="http://www.power.com/linkswitch-lp-data-sheet">www.power.com/linkswitch-lp-data-sheet</a> )
<b>Application Note</b>	LinkSwitch-LP design guide (AN-39) ( <a href="http://www.power.com/an-39">www.power.com/an-39</a> )
<b>Design Example</b>	1 W, low cost, linear replacement power supply (DI-164) ( <a href="http://www.power.com/di-164">www.power.com/di-164</a> )
<b>Design Example</b>	1.75 W, high efficiency, linear charger replacement (DI-132) ( <a href="http://www.power.com/di-132">www.power.com/di-132</a> )