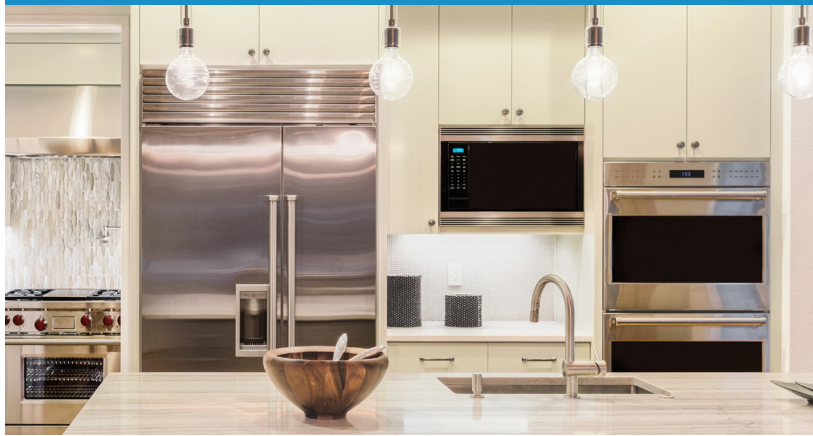
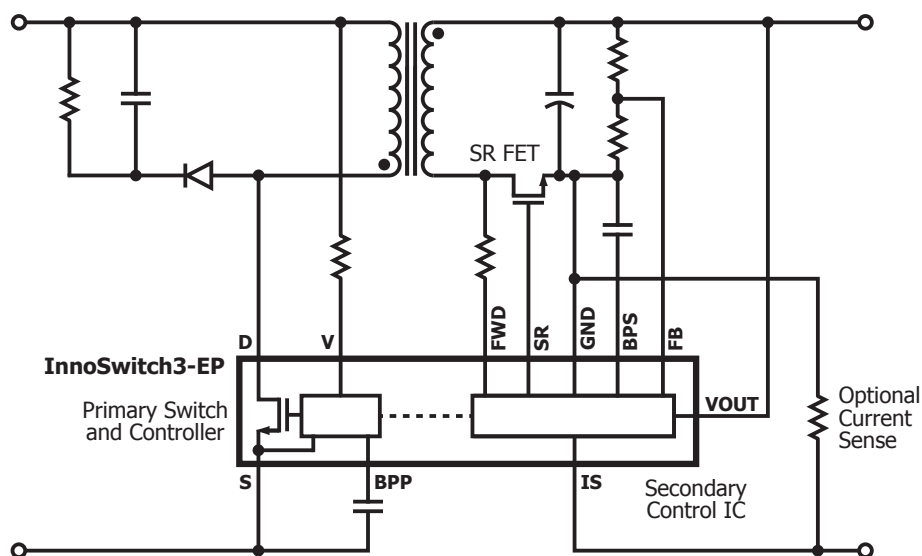


InnoSwitch™ 3-EP

- Up to 94% efficient isolated flyback conversion
- Available with 725 V, 750 V, 900 V, 1250 V and 1700 V primary switch options
- Comprehensive protection features



Off-Line CV/CC Quasi-Resonant Flyback Switcher IC



PI-8184-072419

Applications

- Utility meter, smart grid and industrial power supplies
- Auxiliary, standby and bias power supplies
- Energy storage



InSOP™-24D Package

Output Power

Product	Peak or Open Frame (W)	Peak or Open Frame (W)
725 V MOSFET	230 VAC ± 15%	85-265 VAC
INN3672C	12	10
INN3673C	15	12
INN3674C	25	20
INN3675C	30	25
INN3676C	40	36
INN3677C	45	40
750 V PowiGaN™ Switch	230 VAC ± 15%	85-265 VAC
INN3678C	75	65
INN3679C	85	75
INN3670C	100	85

Product	Peak or Open Frame (W)	Peak or Open Frame (W)
900 V MOSFET	230 VAC ± 15%	85-440 VAC
INN3692C	12	10
INN3694C	25	20
INN3696C	35	30
900 V PowiGaN Switch	230 VAC ± 15%	85-400 VAC
INN3697C	55	50
INN3699C	85	75
INN3690C	100	85
1250 V PowiGaN Switch	230 VAC ± 15%	85-580 VAC
INN3629C	85	75
1700 V Switch	230 VAC ± 15%	85-670 VAC
INN3647C	45	50
INN3649C	65	70

Design Support

Data Sheet	InnoSwitch3-EP data sheet (www.power.com/innoswitch3-ep-data-sheet)
Design Example	60 W power supply (DER-868) (www.power.com/der-868)
Design Example	60 W ultra-wide input range adapter (DER-712)(www.power.com/der-712)
Design Example	35 W 40-1000 VDC input (1700 V Switch) (DER-913) (www.power.com/der-913)
Design Example	45 W isolated flyback adapter (DER-909) (www.power.com/der-909)
Design Example	60 W isolated flyback adapter (DER-1025) (www.power.com/der-1025)
Design Example	60 W isolated flyback adapter (RDK-982) (www.power.com/rdk-982)
Design Example	15 W dual output power supply (RDK-752) (www.power.com/rdk-752)