

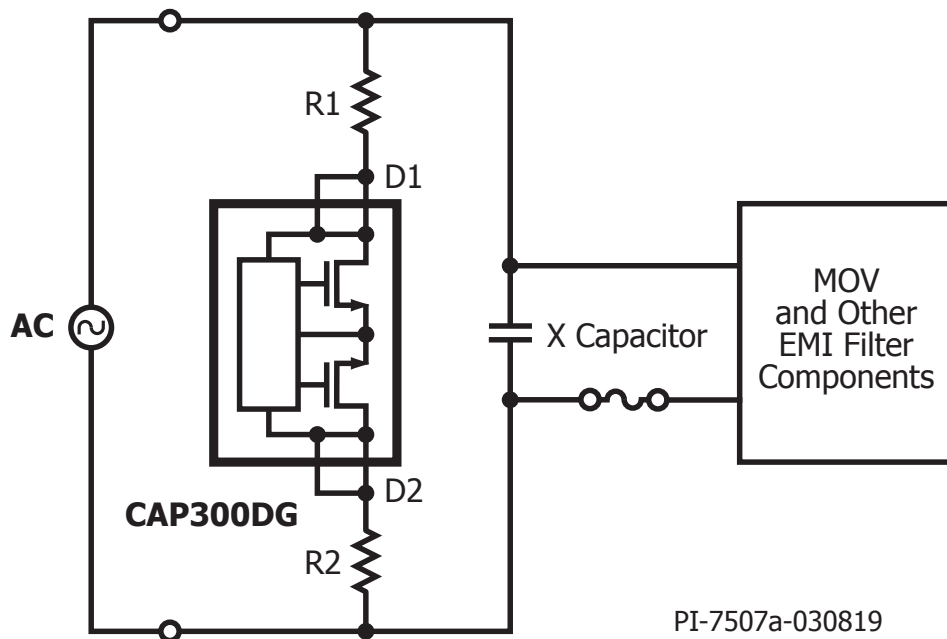
CAPZero™-3



Key Features

- Dramatically reduces no-load and standby power
- One part for 0.1 μF to 6 μF X capacitor
- Rapid X capacitor energy discharge (<34 V in <1 second) meets IEC60335 safety standards for appliances

Zero Loss Automatic X Capacitor Discharge IC

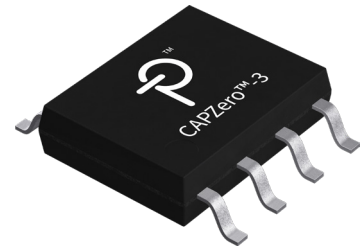


Applications

- Small appliances
- Major appliances
- Comfort appliances
- Industrial applications
- Adapters requiring ultra-low no-load consumption

Component Table

Part Number	BV_{DSS}	Total X Capacitance	Total Series Resistance (R1 + R2)
CAP300DG	1000 V	100 nF to 6 μ F	54 k Ω minimum



SO-8 D Package

Design Support

- Data Sheet CAPZero-3 data sheet (www.power.com/capzero-3-data-sheet)
- Application Note CAPZero design considerations (AN-48) (www.power.com/an-48)