

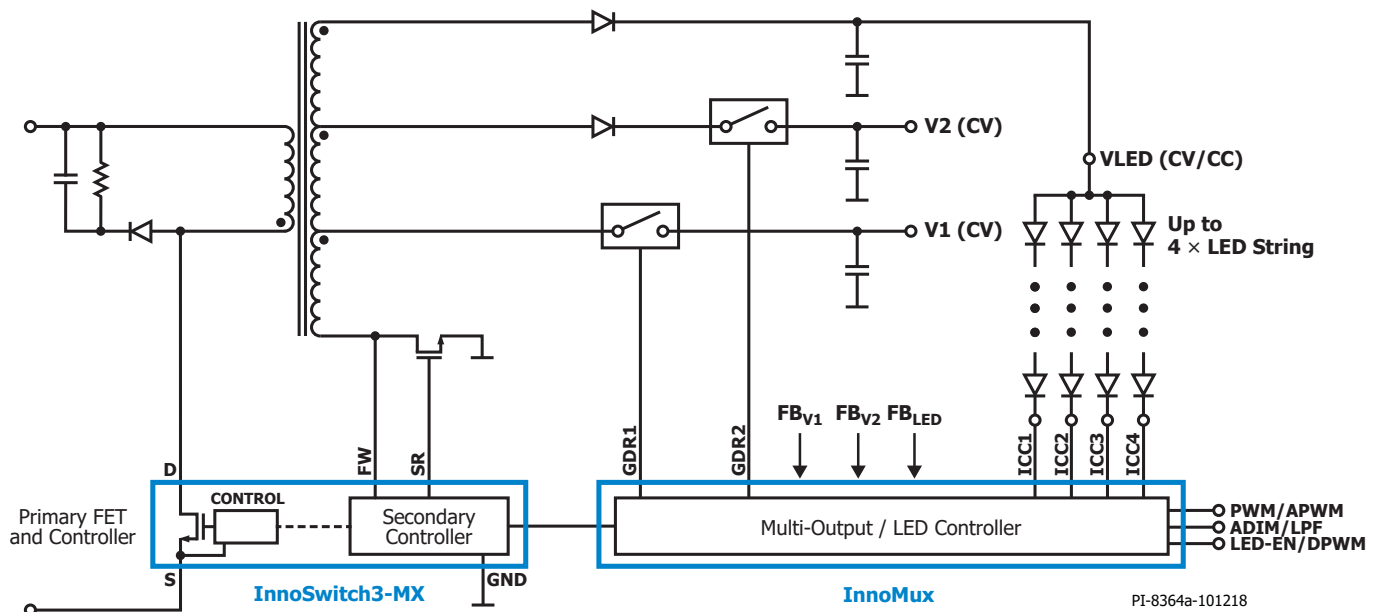
InnoMux™ Technology



Key Features

- InnoSwitch™3-MX and InnoMux chipset
- Up to 91% efficient single-stage power conversion
- Optimized for display applications with CV and CC outputs
- Simplifies ENERGY STAR® 8 and 2021 EU labeling compliance

Innovative Single-Stage Power Architecture for Displays and Appliances



Applications

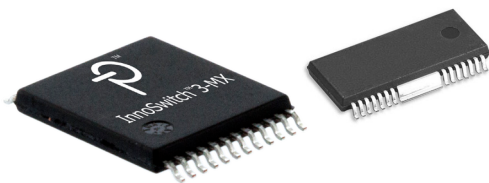
- Monitors
- Televisions
- Appliances

Output Power

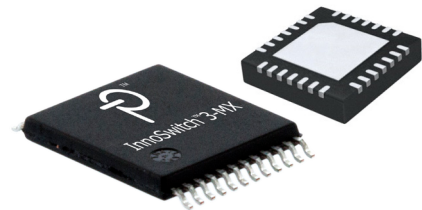
85-265 VAC

Product	BV Rating (V)	Nominal Continuous (W)	Max Continuous (W)
INN3464C	650	18	22
INN34x5C	650 / 725	22	28
INN34x6C	650 / 725	28	35
INN3467C	650	35	44
INN3477C	725	32	40
INN3468C	650	40	50
INN3478C	750	55	65
INN3479C	750	65	75
INN3470C	750	75	85

Product	Output Configuration	Package
IMX101J	1 CV, 1 LED String	QFN
IMX101U	1 CV, 1 LED String	HSOP
IMX111J	2 CV, 1 LED String	QFN
IMX111U	2 CV, 1 LED String	HSOP
IMX102U	1 CV, 4 LED Strings	HSOP
IMX112U	2 CV, 4 LED StringS	HSOP



Wave Solder Chipset
InnoSwitch3-MX in InSOP-24D Package
+ InnoMux in HSOP-28 Package



Reflow Chipset
InnoSwitch3-MX in InSOP-24D Package
+ InnoMux in QFN-28 Package

Design Support

- Data Sheet InnoMux data sheet (www.power.com/innomux-data-sheet)
- Reference Design Multiple output flyback converter with four LED drivers using InnoMux IMX102U and InnoSwitch3-MX INN3468C (DER-636) (www.power.com/der-636)