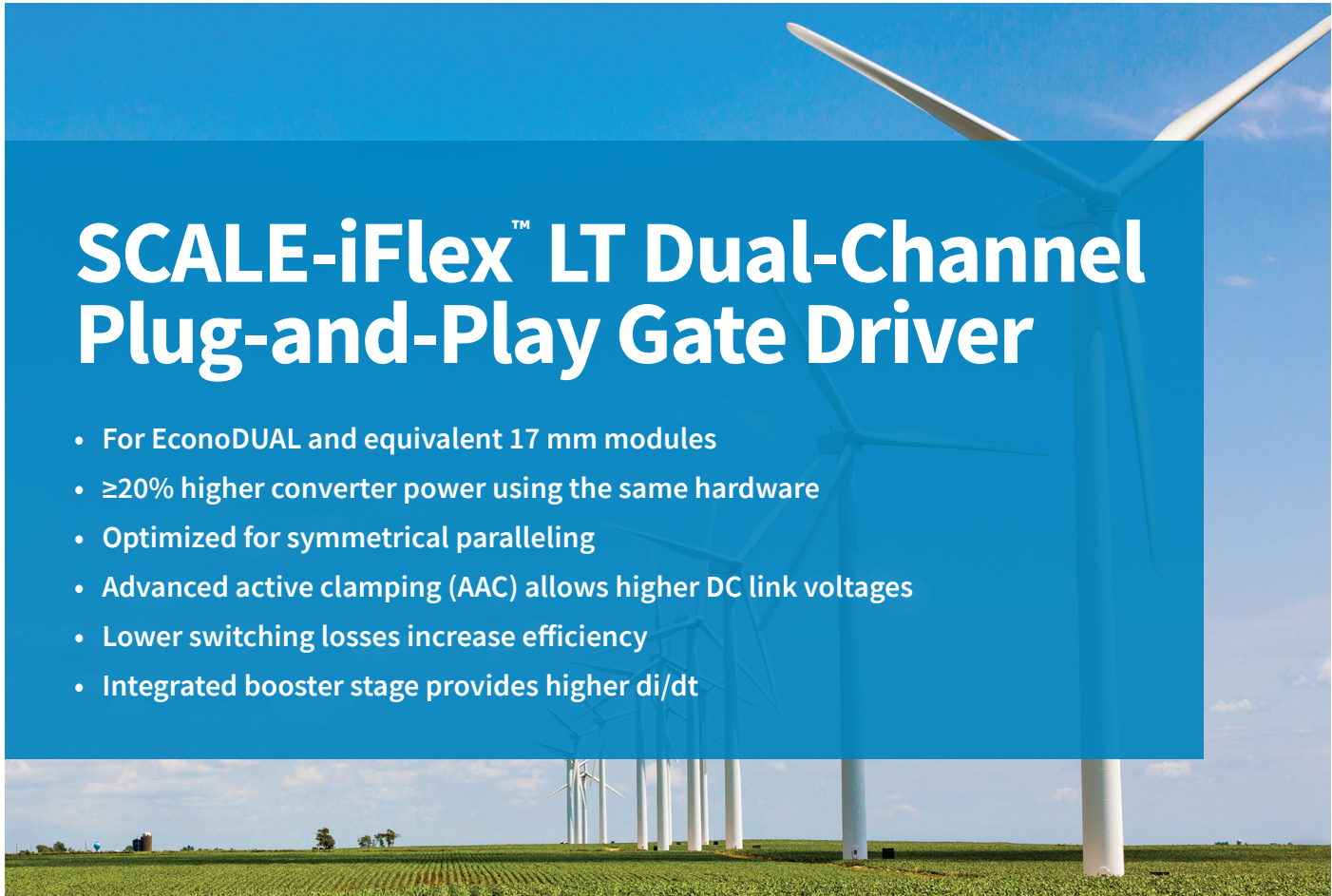
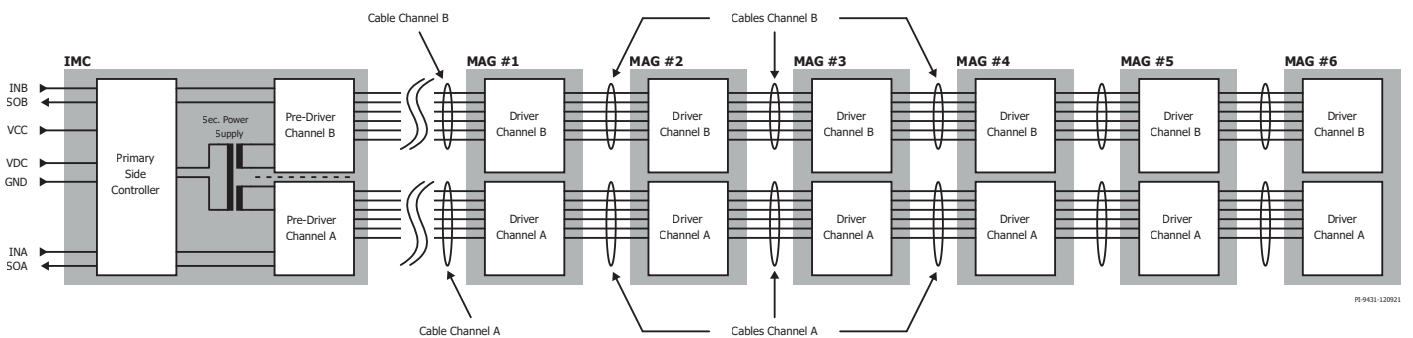


# SCALE-iFlex™ LT Dual-Channel Plug-and-Play Gate Driver

- For EconoDUAL and equivalent 17 mm modules
- $\geq 20\%$  higher converter power using the same hardware
- Optimized for symmetrical paralleling
- Advanced active clamping (AAC) allows higher DC link voltages
- Lower switching losses increase efficiency
- Integrated booster stage provides higher di/dt



## Isolated Master Control (IMC) and Module Adapted Gate Driver (MAG) for up to 1700 V Half-Bridge Power Modules



## Applications

- Wind converters and other renewables
- Commercial air conditioners
- Power quality
- Medium-voltage drives

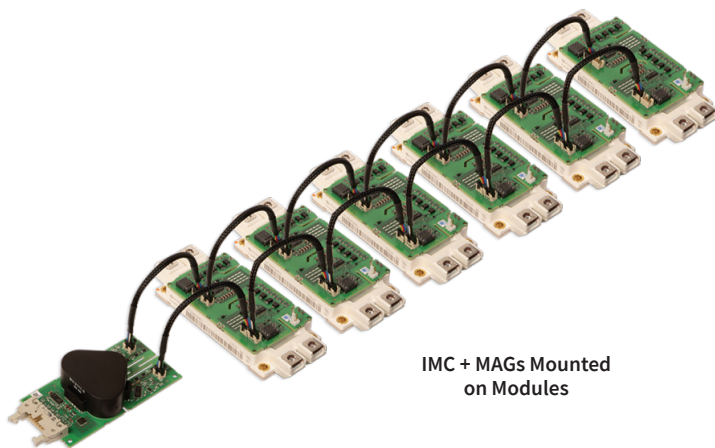
## Product Details

### Isolated Master Control

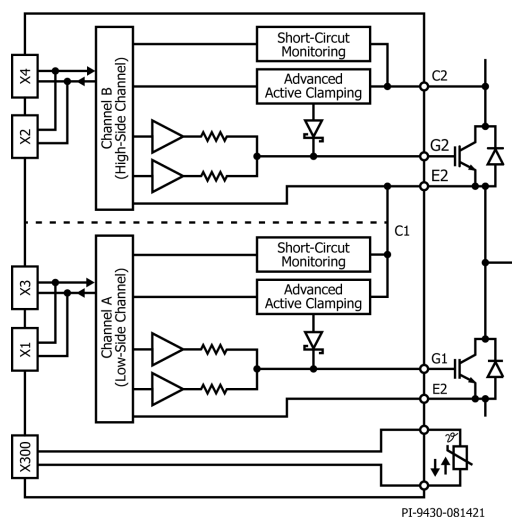
Part Number	Power Module	Voltage Class	Current Class	Package	Power Device Supplier
2SIL1200T2A0-23	N.N.	2300 V	N.N.	EconoDUAL3, NX, Dual XT, LoPak	Infineon, Mitsubishi, Fuji, Hitachi Energy, Dynex
2SIL1200T2A0-33	N.N.	3300 V	N.N.	EconoDUAL3, NX, Dual XT, LoPak	Infineon, Mitsubishi, Fuji, Hitachi Energy, Dynex

### Module Adapted Gate Driver

Part Number	Power Module	Voltage Class	Current Class	Package	Power Device Supplier
2SML0220D2E0-FF600R17ME4	FF600R17ME4	1700 V	600 A	EconoDUAL 3	Infineon
2SML0220D2E0-FF600R12ME4	FF600R12ME4	1200 V	600 A	EconoDUAL 3	Infineon
2SML0220D2E0-FF900R12ME7_B11	FF900R12ME7_B11	1200 V	900 A	EconoDUAL 3	Infineon
2SML0220D2E0-2MBI800XNE-120-50	2MBI800XNE-120-50	1200 V	800 A	Dual XT	Fuji
2SML0220D2E0-DIM600M1HS17-PA500	DIM600M1HS17-PA500	1700 V	600 A	17 mm	Dynex



IMC + MAGs Mounted on Modules



## Design Support

Data Sheet

SCALE-iFlex LT data sheet ([www.power.com/scale-iflex-lt-data-sheet](http://www.power.com/scale-iflex-lt-data-sheet))