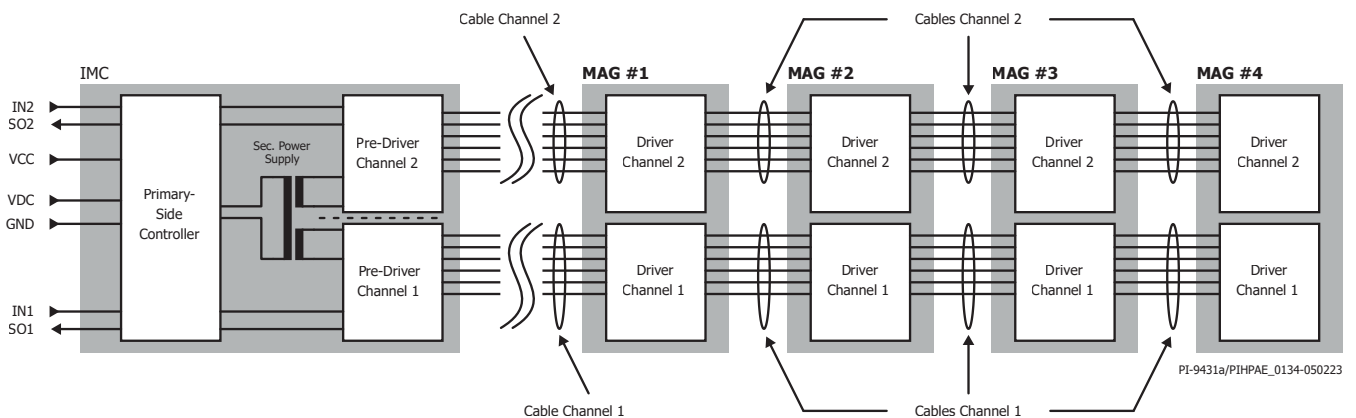


SCALE-iFlex™ LT NTC Dual-Channel Plug-and-Play Gate Driver

- $\geq 20\%$ higher converter power using the same hardware
- Optimized for symmetrical paralleling
- Advanced active clamping (AAC) allows higher DC link voltages
- Lower switching losses increase efficiency
- Reinforced isolated temperature readout (NTC)

Isolated Master Control (IMC) and Module Adapted Gate Driver (MAG) for up to 3300 V Half-Bridge Power Modules



Applications

- Wind converters and other renewables
- Energy storage systems
- Power quality
- Medium-voltage drives

Product Details

Isolated Master Control

Part Number	Power Module	Voltage Class	Current Class	Package	Power Device Supplier
2SILT1200T2A0C-33	N.N.	3300 V	N.N.	LV100, XHP™ 2	Mitsubishi, Infineon

Module Adapted Gate Driver

Part Number	Power Module	Voltage Class	Current Class	Package	Power Device Supplier
2SMLT0220D2C0C-FF1800XTR17T2P5	FF1800XTR17T2P5	1700 V	1800 A	XHP 2	Infineon
2SMLT0220D2C0C-2MBI1200XZF230-50	2MBI1200XZF230-50	2000 V	1200 A	HPnC	Fuji
2SMLT0220D2C0C-CM1200DW-40T	CM1200DW-40T	2300 V	1200 A	LV100	Mitsubishi



Design Support

Data Sheet

SCALE-iFlex LT NTC data sheet (www.power.com/products/scale-i-flex/scale-i-flex-lt-ntc)