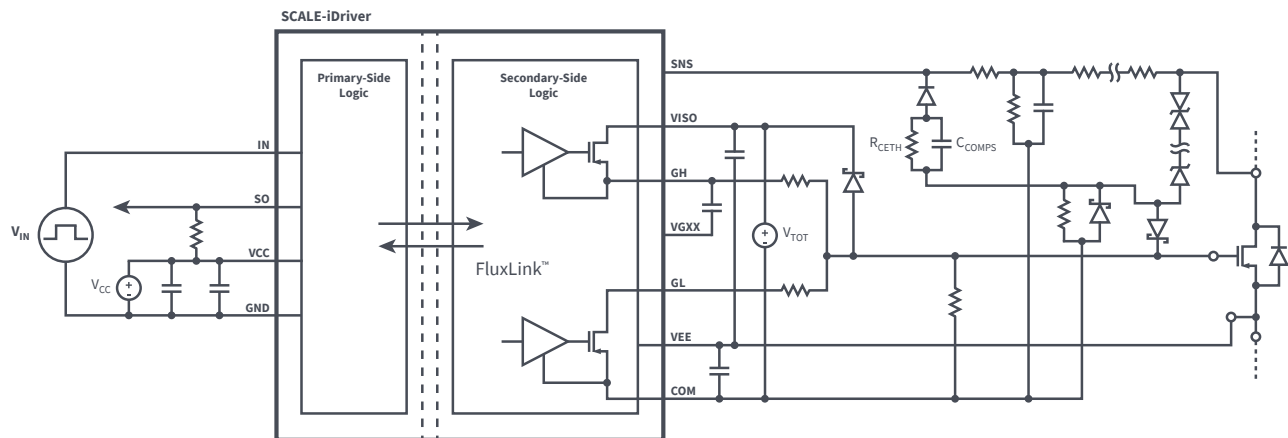


# SCALE-iDriver™ (SiC)

- Highest efficiency (8 A) driver for Silicon Carbide switches
- Ultra-fast short-circuit detection (typically  $<2\mu\text{s}$ )
- Drain-source overvoltage protection — Advanced Active Clamping (SiC-AAC)
- Configurable gate-drive voltage matches multiple SiC architectures
- Reinforced isolation up to 1200 V

## SiC-MOSFET Gate Driver IC



PI-8897-011119

## Applications

- UPS
- Photovoltaic
- Welding inverters
- Servo drives
- Industrial applications

## Output Power

Part Number	Peak Output Current (A)
SIC1182K	8.0



eSOP™-R16B Package

## Design Support

- Data Sheet**      SCALE-iDriver SIC1182K data sheet ([www.power.com/sic1182k-data-sheet](http://www.power.com/sic1182k-data-sheet))
- Reference Design**      SCALE-iDriver for SiC MOSFET: 2-level half-bridge topologies (RDHP-1901) ([www.power.com/rdhp-1901](http://www.power.com/rdhp-1901))
- Video**      Introduction to SCALE-iDriver ([www.power.com/scale-idriver-video](http://www.power.com/scale-idriver-video))