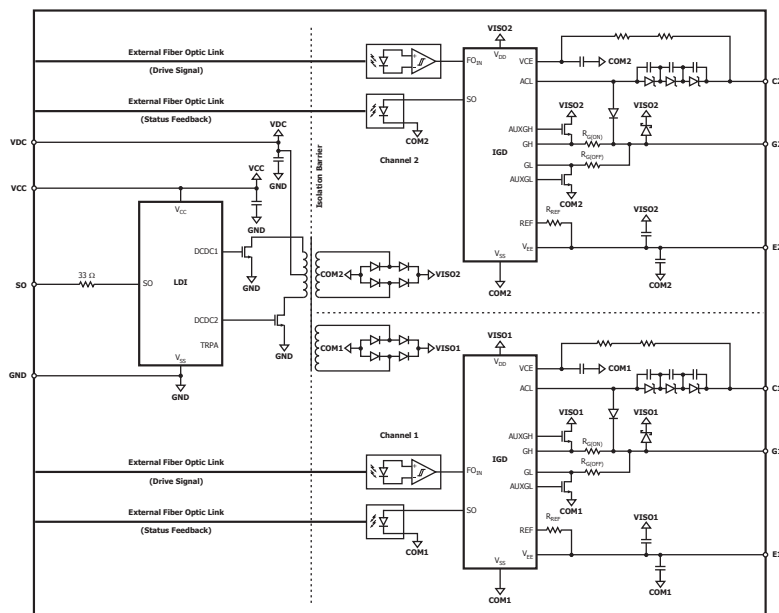


SCALE™ -2 Plug-and-Play IGBT Gate Driver 2SP0320

- For power modules with blocking voltages up to 1700 V
- Electrical or fiberoptic interfaces
- Overvoltage protection by Dynamic advanced active clamping (DAAC)
- Easy mounting directly onto the IGBT
- Supports two-level and three-level converter topologies
- IGBT short-circuit protection

Dual-Channel Plug-and-Play Gate Driver for PrimePACK™ and Equivalent IGBT Modules with Electrical or Fiberoptic Interfaces



Applications

- Wind power inverters
- Industrial motor drives
- Railway auxiliary inverters
- Induction heating
- Commercial air conditioners
- Uninterruptible power supplies (UPS)
- Medical (MRT, CT, X-ray)

Certifications

- Reinforced isolation according to IEC 60664-1
- UL compliant

Product Details

Parameter	Min	Typical	Max	Unit
Nominal supply voltage		15		V
Supply current 2SP0320T2xx @ $f_{IN} = 0$ Hz		56		mA
Supply current 2SP0320V2xx and 2SP0320S2xx @ $f_{IN} = 0$ Hz		164		mA
Supply current, full load 2SP0320T2xx			600	mA
Supply current, full load 2SP0320V2xx			690	mA
Output power per channel			3	W
Gate voltage		+15 / -10		V
Peak output current (gate current)	-20		+20	A
Switching frequency (f_s^1)	0		30	kHz
Duty cycle	0		100	%
Creepage distance primary-secondary	20			mm
Dielectric test voltage	5000			V_{RMS}
Partial discharge extinction voltage	1768			V_{PEAK}
Operating temperature	-40		+85	°C



¹ Maximum switching frequency depends on the IGBT gate charge. See data sheet for actual value of specific driver.

Design Support

Available Products 2SP0320 products list (www.power.com/2SP0320)