

Low-Profile Transformer

■ Description

- ▶ Transformer bobbin which includes a base with grooves that allow a wire at the end of a coil to be recessed into the base.
- ▶ The bobbin may then be inserted through the printed circuit board (PCB) such that the overall height of the PCB assembly can be reduced to the height of the bobbin

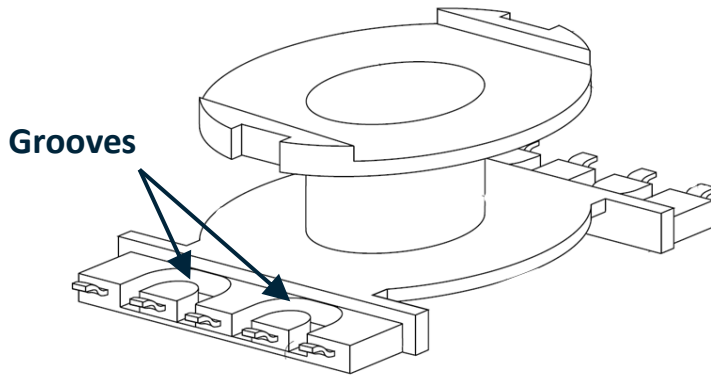


Figure 1. Perspective view of the bobbin

■ Benefits

- ▶ Reduces the height of the power converter by locating the base of the transformer and the top of the transformer on opposite sides of the circuit board
- ▶ Could be used with: power converters

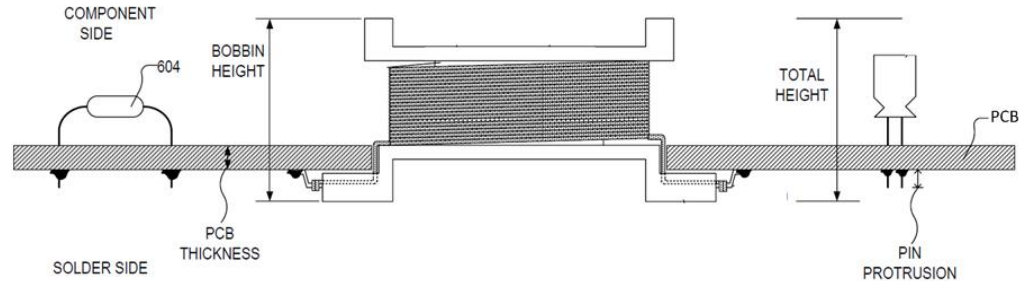


Figure 2. Side view of the bobbin mounted onto a PCB