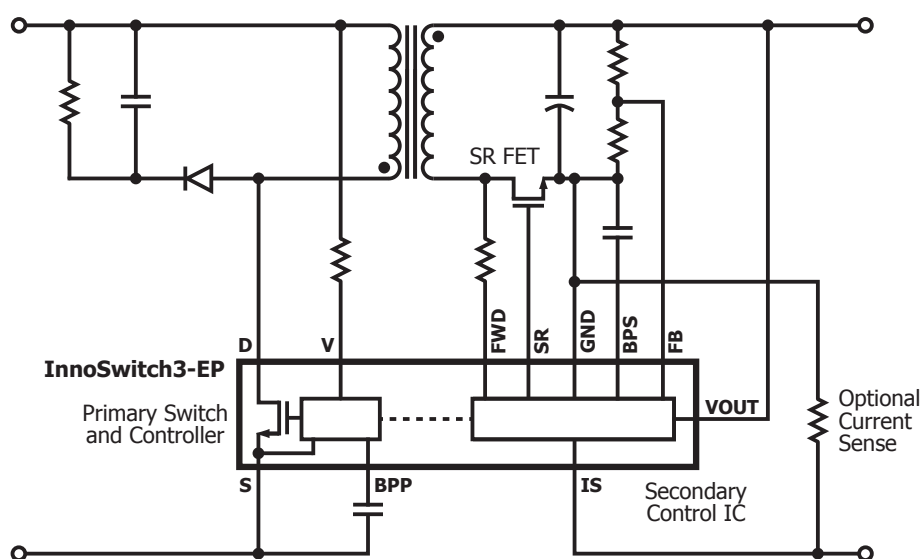


# InnoSwitch™ 3-EP

- Multi-mode quasi-resonant (QR) / CCM flyback controller with integrated synchronous rectification driver
- Integrated FluxLink™, HIPOT-isolated, feedback link
- Up to 94% efficient isolated flyback conversion
- Available with 725 V, 750 V, 900 V, 1250 V and 1700 V primary switch options
- Comprehensive protection features



## Off-Line CV/CC Quasi-Resonant Flyback Switcher IC



PI-8184-072419

## Applications

- Utility meter, smart grid and industrial power supplies
- Auxiliary, standby and bias power supplies
- Energy storage



InSOP™-24D Package

## Output Power

Product	Peak or Open Frame (W)	Peak or Open Frame (W)
<b>725 V MOSFET</b>	<b>230 VAC ± 15%</b>	<b>85-265 VAC</b>
INN3672C	12	10
INN3673C	15	12
INN3674C	25	20
INN3675C	30	25
INN3676C	40	36
INN3677C	45	40
<b>750 V PowiGaN™ Switch</b>	<b>230 VAC ± 15%</b>	<b>85-265 VAC</b>
INN3678C	75	65
INN3679C	85	75
INN3670C	100	85

Product	Peak or Open Frame (W)	Peak or Open Frame (W)
<b>900 V MOSFET</b>	<b>230 VAC ± 15%</b>	<b>85-440 VAC</b>
INN3692C	12	10
INN3694C	25	20
INN3696C	35	30
<b>900 V PowiGaN Switch</b>	<b>230 VAC ± 15%</b>	<b>85-400 VAC</b>
INN3697C	55	50
INN3699C	85	75
INN3690C	100	85
<b>1250 V PowiGaN Switch</b>	<b>230 VAC ± 15%</b>	<b>85-580 VAC</b>
INN3624C	25	20
INN3626C	40	35
INN3629C	85	75
<b>1700 V Switch</b>	<b>230 VAC ± 15%</b>	<b>85-670 VAC</b>
INN3647C	45	50
INN3649C	65	70

## Design Support

<b>Data Sheet</b>	InnoSwitch3-EP data sheet ( <a href="http://www.power.com/innoswitch3-ep-data-sheet">www.power.com/innoswitch3-ep-data-sheet</a> )
<b>Application Note</b>	InnoSwitch3 family design guide ( <a href="http://www.power.com/an-72">www.power.com/an-72</a> )
<b>Design Example</b>	60 W power supply (750 PowiGaN switch) ( <a href="http://www.power.com/der-868">www.power.com/der-868</a> )
<b>Design Example</b>	15 W dual output power supply (725 V Si switch) ( <a href="http://www.power.com/rdr-752">www.power.com/rdr-752</a> )
<b>Design Example</b>	10 W dual output power supply (900 V Si switch) ( <a href="http://www.power.com/der-745">www.power.com/der-745</a> )
<b>Design Example</b>	10 W dual output power supply (725 Si switch) ( <a href="http://www.power.com/rdr-611">www.power.com/rdr-611</a> )
<b>Design Example</b>	12 W isolated flyback power supply for appliances (RDK-1090) ( <a href="http://www.power.com/rdk-1090">www.power.com/rdk-1090</a> )
<b>Design Example</b>	60 W ultra-wide input range adapter (750 PowiGaN switch)( <a href="http://www.power.com/der-712">www.power.com/der-712</a> )
<b>Design Example</b>	35 W 40-1000 VDC input power supply (1700 V SiC Switch) ( <a href="http://www.power.com/der-913">www.power.com/der-913</a> )
<b>Design Example</b>	60 W isolated flyback adapter (1250 PowiGaN switch) ( <a href="http://www.power.com/der-1025">www.power.com/der-1025</a> )
<b>Design Example</b>	60 W isolated flyback adapter (900 V PowiGaN switch) ( <a href="http://www.power.com/der-982">www.power.com/der-982</a> )