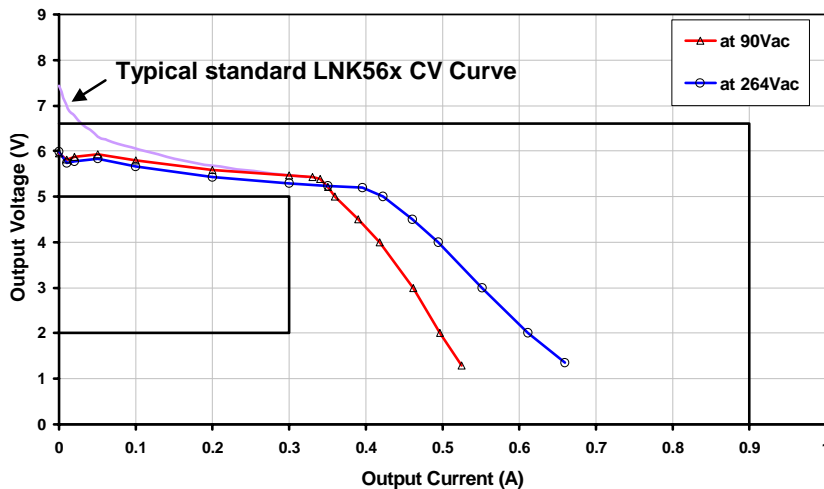
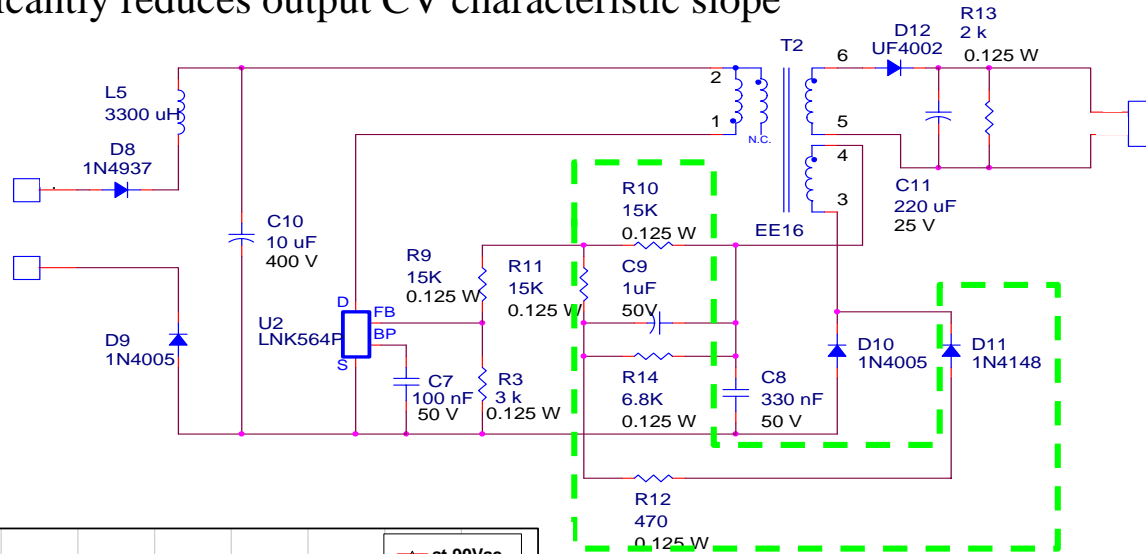


Tight CV™ Load Regulation

- Highlighted circuitry adjusts bias voltage threshold as freq (load) increases
 - Significantly reduces output CV characteristic slope



Improved CV Load Regulation Circuit Performance

