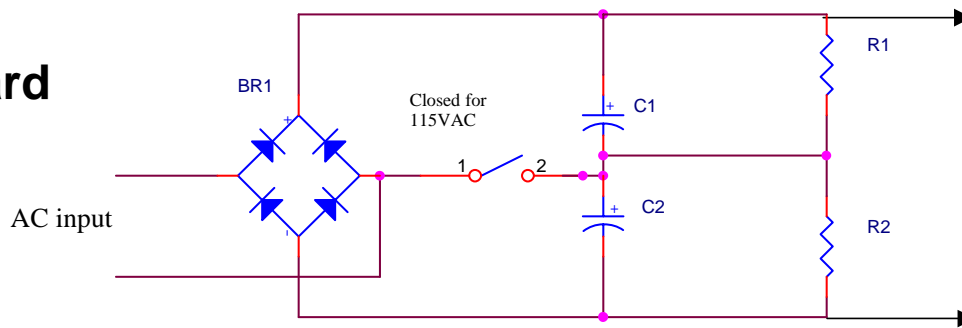


C-Balance™

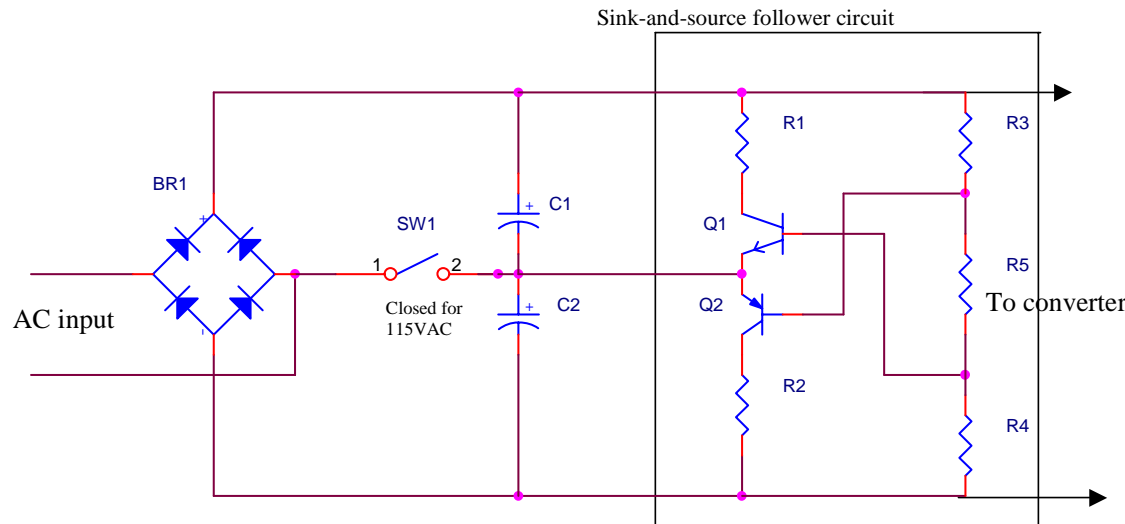
- **Simplified Schematics**

- **Standard**



R1 and R2 continuously dissipate high power. They are used because otherwise any difference in leakage current in C1 and C2 can cause voltage to be shared unequally between C1 and C2

- **PI's**

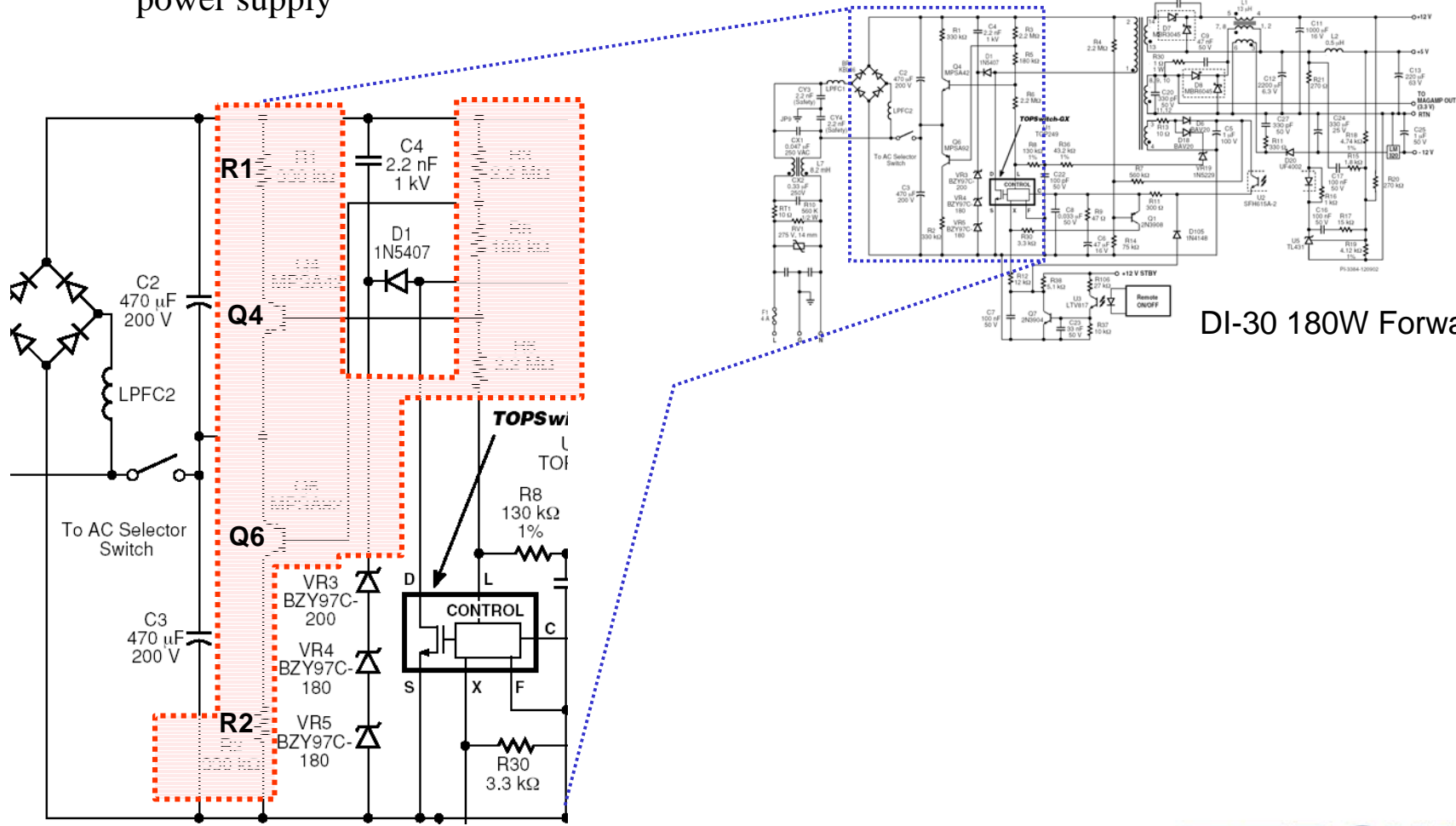


With PI cct, Q1 and Q2 only turn on if voltages across C1 and C2 are unbalanced so dissipation is minimized

C-Balance™

- **Practical Implementation**

- Provides very low standby consumption when used in combination with Tiny II for standby power supply



DI-30 180W Forward