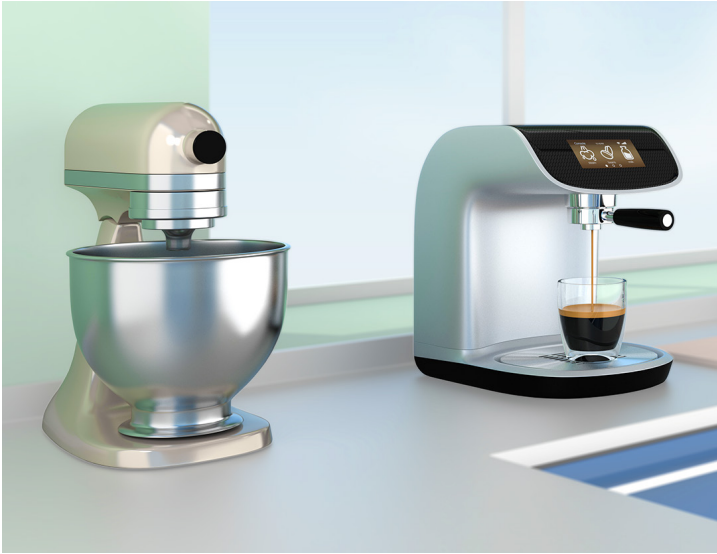


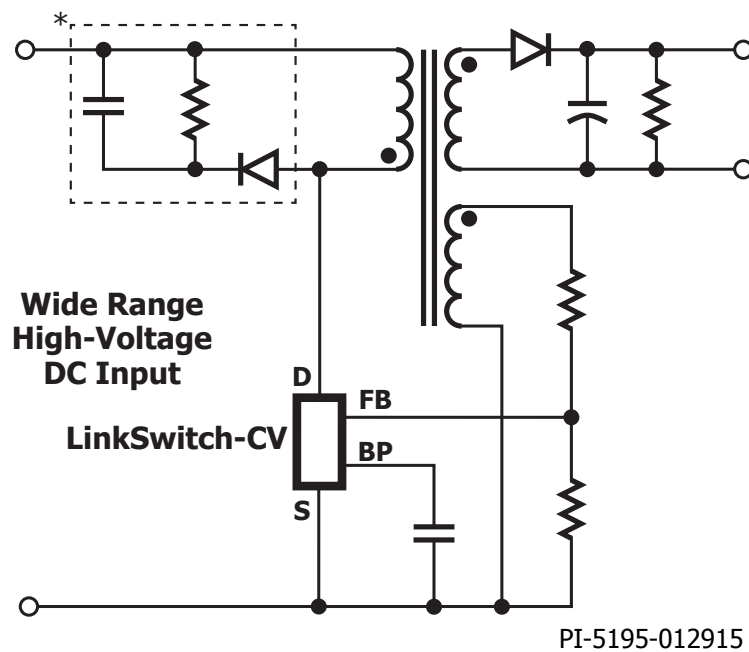
LinkSwitch™-CV



Key Features

- Eliminates optocouplers and secondary CV control in isolated designs
- Direct and accurate feedback in non-isolated designs
- Compensates for external component variations
- 100 kHz operation for small magnetics
- Below 70 mW no-load and high efficiency at light-load

Off-line Switcher with Accurate Primary-Side CV Control

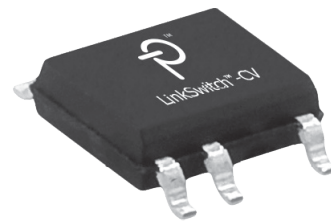


Applications

- Home appliances, white goods and consumer electronics
- Standby and auxiliary supplies
- Industrial controls
- Adapters

Output Power

Product	230 VAC ±15		85-265 VAC	
	Adapter (W)	Open Frame (W)	Adapter (W)	Open Frame (W)
LNK623PG/DG	6.5	9	5	6
LNK624PG/DG	7	11	5.5	6.5
LNK625PG/DG	8	13.5	6.5	8
LNK626PG/DG	10.5	17	8.5	10



Packages:
D: SO-8C, P: DIP-8C

Design Support

- Data Sheet [LinkSwitch-CV data sheet \(www.power.com/linkswitch-cv-data-sheet\)](http://www.power.com/linkswitch-cv-data-sheet)
- Application Note [LinkSwitch-CV design guide \(AN-45\) \(www.power.com/an-45\)](http://www.power.com/an-45)
- Design Example [5 W, 85-265 VAC constant voltage adapter \(DER-669\) \(www.power.com/der-669\)](http://www.power.com/der-669)
- Design Example [10 W non-isolated tapped buck power supply \(DER-572\) \(www.power.com/der-572\)](http://www.power.com/der-572)