

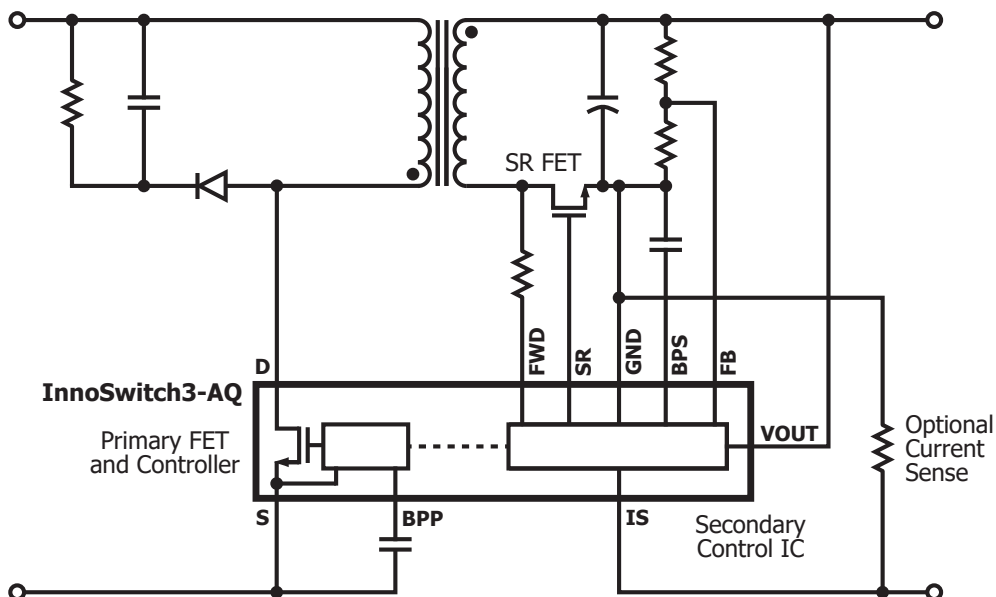
InnoSwitch™3-AQ



Key Features

- Up to 90% efficient across full load range
- 30 VDC to 550 VDC input voltage (up to 925 VDC with StackFET)
- Integrated FluxLink™ feedback
- Digitally controlled via I²C interface
- AEC-Q100 qualified

CV/CC Quasi-Resonant Flyback Switcher IC with Integrated 750 V MOSFET and FluxLink Feedback for Automotive BEV and PHEV Applications



PI-8184a-031320

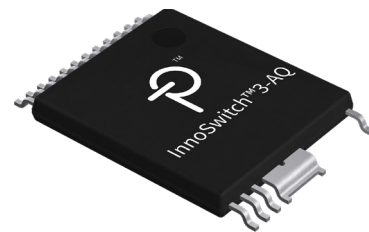
Applications

Auxiliary, standby and bias power supplies for:

- Traction inverters
- Energy management
- DC-DC bus converters
- On-board chargers
- Battery management systems

Output Power

Part Number	30 VDC _{MIN}	60 VDC _{MIN}	400 V
INN3977CQ	10 W	20 W	30 W



InSOP-24D Package

Design Support

- Data Sheet InnoSwitch3-AQ data sheet (www.power.com/innoswitch3-aq-data-sheet)
- Design Example 30 W, wide input range power supply for automotive applications (DER-840Q) (www.power.com/der-840q)
- Design Example 30 W isolated flyback power supply with StackFET for high input voltage automotive applications (DER-859Q) (www.power.com/der-859q)
- Design Example 20 W isolated flyback power supply for automotive applications (DER-907Q) (www.power.com/der-907q)