

Dual Output Buck Converter

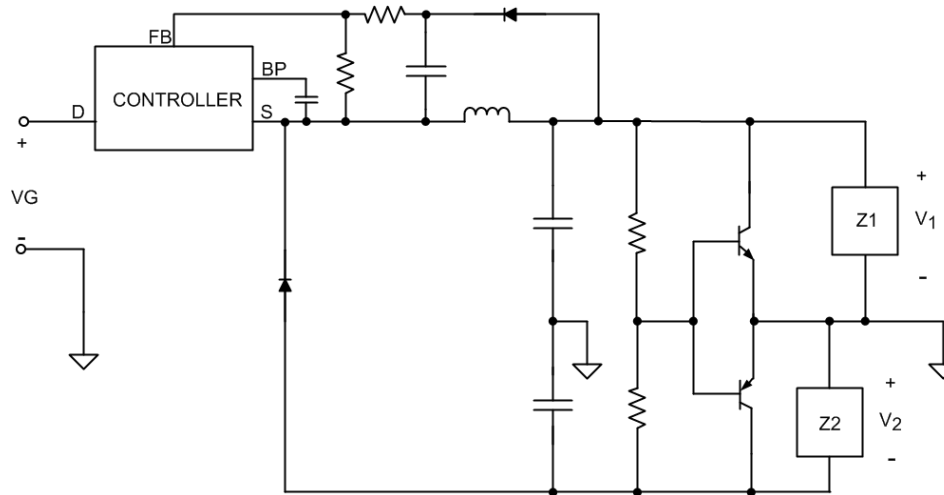


Figure 1. Dual output buck converter

■ Description

- ▶ A buck converter that provides two outputs (V1,V2) of opposite polarities without an isolation transformer

■ Benefits

- ▶ Eliminates Zener diodes to improve regulation
- ▶ **Could be used with:** Appliance applications