

DI-23 Design Idea

TOPSwitch®-GX

10 W, Multi-output, High Speed Modem Power Supply

Application	Device	Power Output	Input Voltage	Output Voltage	Topology
High Speed Modem	TOP243PN	10 W	85 – 265 VAC	3.3 V / 5 V / 30 V	Flyback

Design Highlights

- Compact low cost design (113 mm × 39 mm × 25 mm) with only 46 parts
- Meets Blue Angel no-load power consumption
- Line undervoltage protection prevents turn-off output glitches and overvoltage protection provides extended line surge protection
- Hysteretic thermal shutdown provides automatic fault recovery
- Frequency jittering dramatically reduces EMI and meets EN550022 Class B without Y1 capacitor
- Ultra low leakage current (<1 μA at 265 VAC) eliminates audio hum in voice applications
- Surge immunity to 4 kV (EN61000-4-5)
- High efficiency >70%

Operation

TOP243PN (DIP package) is shown in Figure 1. The power supply utilizes many TOPSwitch-GX features such as frequency jittering, input voltage sense, thermal shutdown, internal current limit, soft-start, etc. without adding any extra components.

Typical applications are wall mount adapters, set-top box, high-speed modem, standby power supplies, and other applications requiring very low cost, small size, and low no-load input power consumption.

The example discussed here passes EMI conducted and radiated emissions tests without using a Y1 capacitor between primary and secondary. This is possible with the frequency jittering feature of TOPSwitch-GX and careful transformer construction. Shield windings are used in the transformer to reduce common mode EMI currents. Transformer specifications are given in Table 1.

Good cross-regulation of output voltages is achieved by careful transformer construction and using a TL431 voltage regulator instead of a Zener regulator.

The power supply uses a low cost RCD clamp with a slow 1N4007GP diode, which reduces EMI emissions and recycles leakage energy, increasing efficiency. Input line sensing prevents reverse conduction of current in TOPSwitch-GX at very low input voltages due to the 1N4007GP in the RCD clamp.

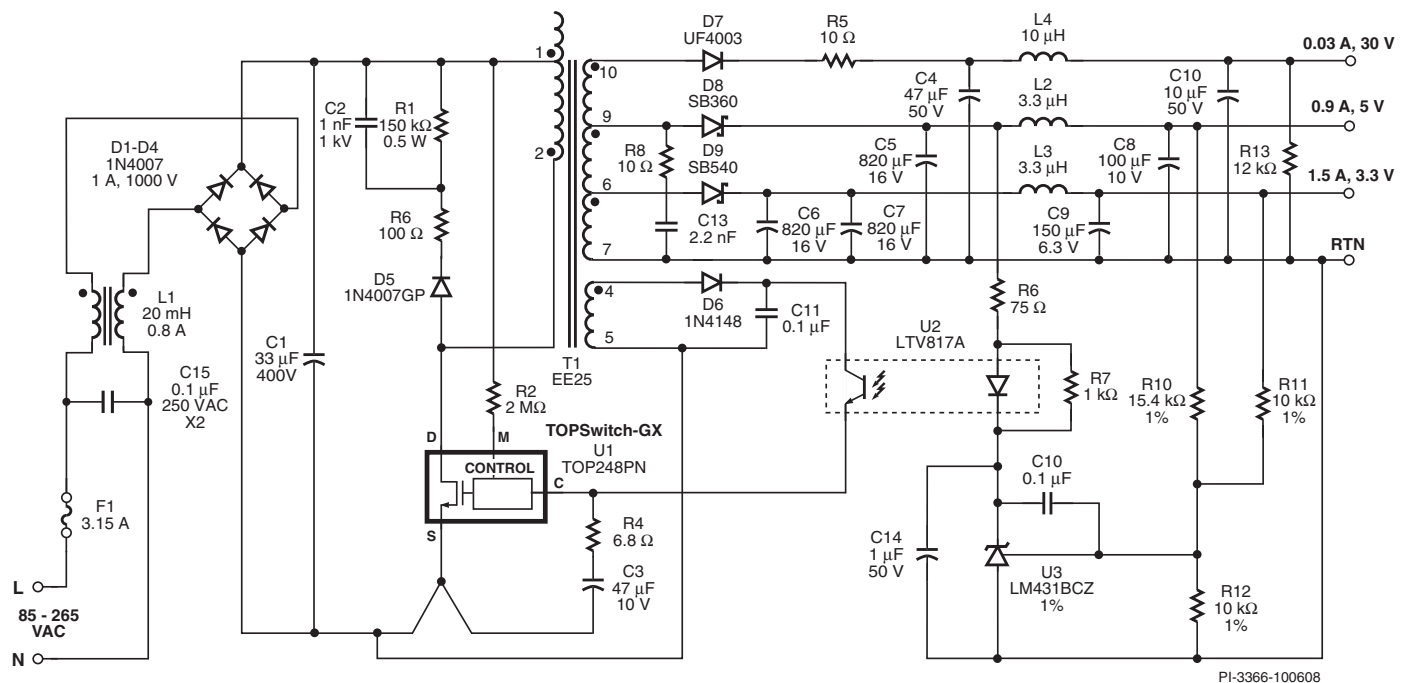


Figure 1. 10 W, 3.3 V at 1.5 A, 5 V at 0.9 A, 30 V at 0.03 A, High Speed Modem Power Supply Using TOP243PN.

Key Design Points

- Use K_{RP} (Ripple-to-peak current ratio) in the range of 0.4–0.6 for better efficiency.
- Select V_{OR} (reflected output voltage) of 90 V to 110 V for optimum performance.
- Opto with CTR range of 80% to 160% recommended.
- PCB traces which carry high switching voltages and current should be short and wide to reduce EMI.
- Reduce leakage inductance and improve cross-regulation by filling each winding layer across the entire width of the bobbin.
- Use shield windings to improve EMI.
- Use a layer of insulation tape between layers of primary winding to reduce inter-winding capacitance.
- D5 should be a GP type (glass passivated) to ensure a controlled reverse recovery time.

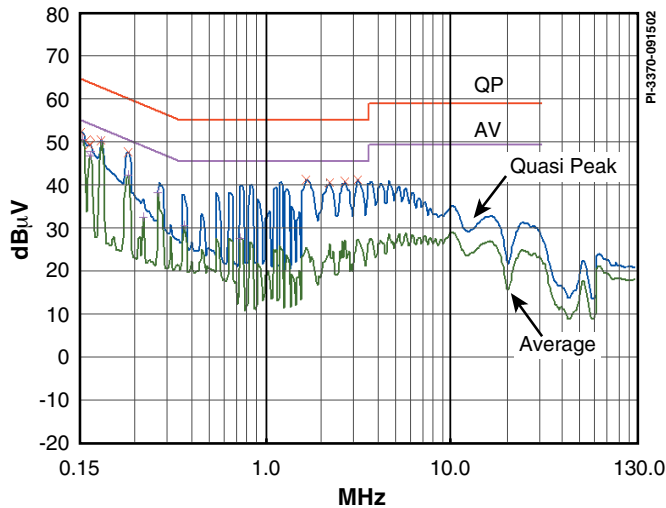


Figure 2. Conducted Emissions – EN55022 Class B (QP and AV), 230 VAC, Full Load, Artificial Hand Connected to Secondary Return.

V_o	Load Range (Amp)	Regulation (%)																		
		-8	-7	-6	-5	-4	-3	-2	-1	0	1	2	3	4	5	6	7	8	9	10
3.3	0.3-1.5																			
5	0.3-0.9																			
30	0.01-0.03																			

Table 2. Worst Case Output Cross-Regulation - All Outputs Taken from Minimum to Maximum Load.

Transformer Parameters

Core Material	EE26, Nippon Ceramic NC-2H or equivalent, ALG = 351 nH/t ²
Bobbin	YW-360-02B, YIH-HWA, 10 pin Vertical
Winding Details	Shield: 15T, 2 × 29 AWG Primary: 49T, 27 AWG Bias: 7T, 3 × 28 AWG 3.3 V: 2T, 3 × 25 AWG T.I.W. 5 V: 1T, 26 AWG T.I.W. 30 V: 13T, 26 AWG T.I.W.
Winding Order	Shield (1–NC), 3 × tape, Primary (2–1), with tape between layers, tape, Bias (6–4), 6 × tape, 3.3 V (6–7), tape, 5 V (9–6), tape, 30 V (10–9), 2 × tape, Shield (1–3), 3 × tape
Inductance	Primary: 1 mH, ±10% Leakage: 30 μH (maximum)
Primary Resonant Frequency	500 kHz (minimum)

Table 1. Transformer Parameters. (AWG = American Wire Gauge, T.I.W. = Triple Insulated Wire)

Power Integrations
5245 Hellyer Avenue
San Jose, CA 95138, USA.
Main: +1 408-414-9200
Customer Service
Phone: +1-408-414-9665
Fax: +1-408-414-9765
Email: usasales@powerint.com

On the Web
www.powerint.com

Power Integrations reserves the right to make changes to its products at any time to improve reliability or manufacturability. Power Integrations does not assume any liability arising from the use of any device or circuit described herein. POWER INTEGRATIONS MAKES NO WARRANTY HEREIN AND SPECIFICALLY DISCLAIMS ALL WARRANTIES INCLUDING, WITHOUT LIMITATION, THE IMPLIED WARRANTIES OF MERCHANTABILITY, FITNESS FOR A PARTICULAR PURPOSE, AND NON-INFRINGEMENT OF THIRD PARTY RIGHTS. The products and applications illustrated herein (transformer construction and circuits external to the products) may be covered by one or more U.S. and foreign patents or potentially by pending U.S. and foreign patent applications assigned to Power Integrations. A complete list of Power Integrations' patents may be found at www.powerint.com. Power Integrations grants its customers a license under certain patent rights as set forth at <http://www.powerint.com/ip.htm>.

The PI logo, TOPSwitch, TinySwitch, LinkSwitch, DPA-Switch, PeakSwitch, EcoSmart, Clampless, E-Shield, Filterfuse, StackFET, PI Expert and PI FACTS are trademarks of Power Integrations, Inc. Other trademarks are property of their respective companies. ©2004, Power Integrations, Inc.