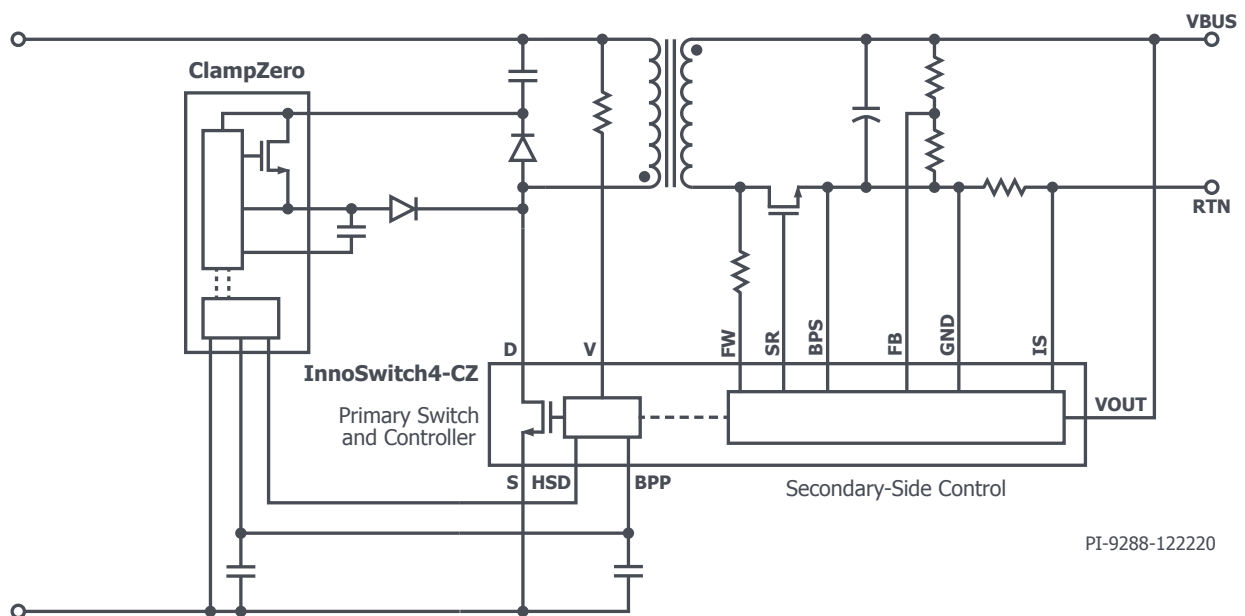


InnoSwitch™ 4-CZ & ClampZero

- 95% efficient flyback conversion
 - High frequency active clamp with zero voltage switching (ZVS)
 - Robust 750 V rated, low-loss PowiGaN Switch
 - No heatsink design up to 110 W
- Integrated FluxLink feedback
- Comprehensive fault protection

Off-Line CC/CV Active Clamp ZVS QR Flyback Switcher IC



PI-9288-122220

Applications

- High density flyback designs up to 110 W
- High efficiency, compact USB PD adapters

Output Power

InnoSwitch4-CZ Output Power Table

Product	85–264 VAC		385 VDC (PFC Input)	
	Adapter (W)	Open Frame (W)	Adapter (W)	Open Frame (W)
INN4073C	60	70	75	80
INN4074C	75	85	95	100
INN4075C	80	90	105	110



InSOP-24D Package

ClampZero + InnoSwitch4-CZ Output Power Table

Product	85–265 VAC	
	Adapter (W)	Open Frame (W)
CPZ1061M	75	85
CPZ1062M	120	135



MinSOP-16A Package

Design Support

Data Sheet

InnoSwitch4-CZ data sheet (www.power.com/innoswitch4-cz-data-sheet)

Design Idea

60 W Ultra-Compact USB PD Adapter Using INN4073C+CPZ1062M and MIN1072M (DER-928) (www.power.com/der-928)