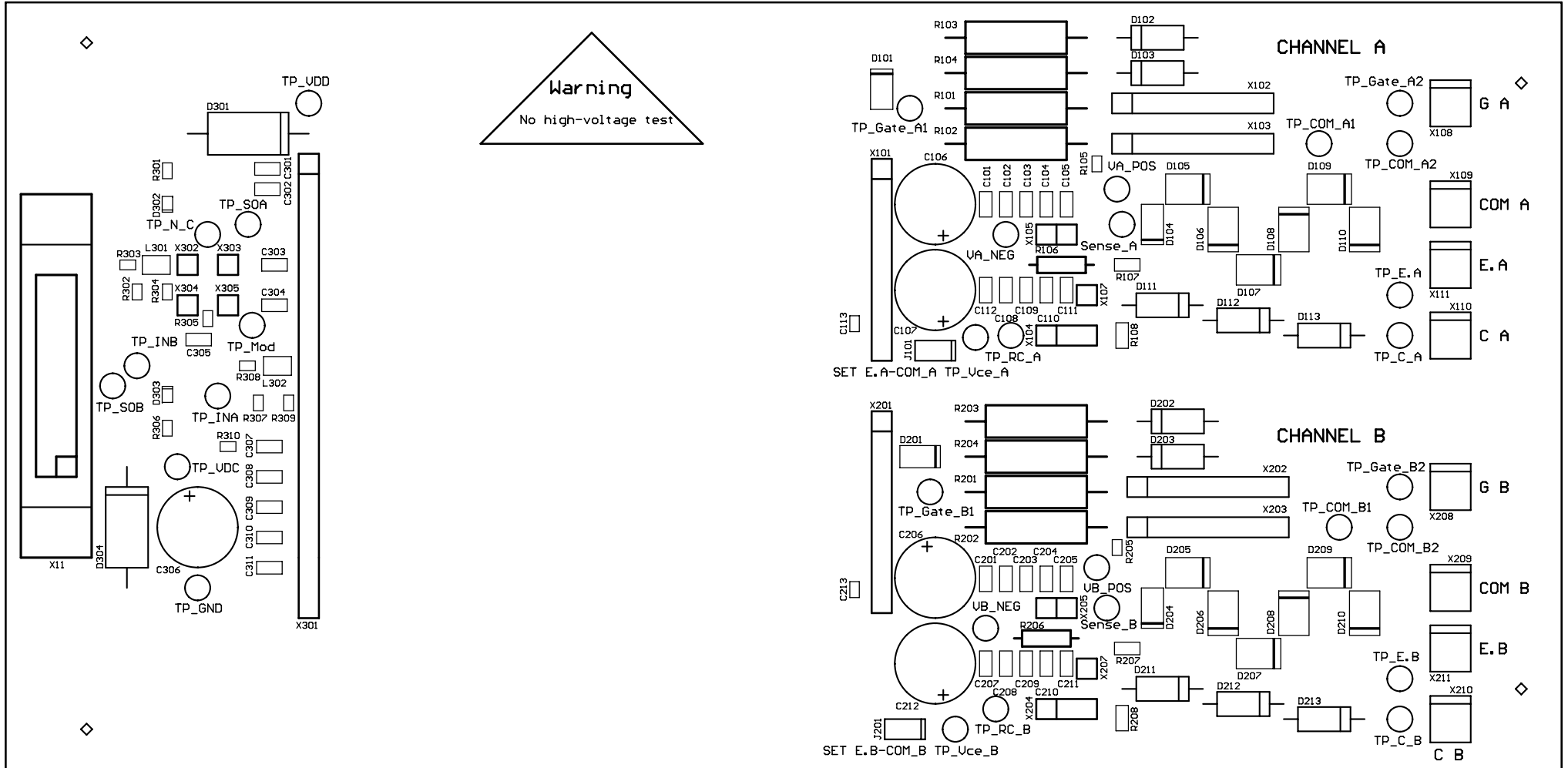
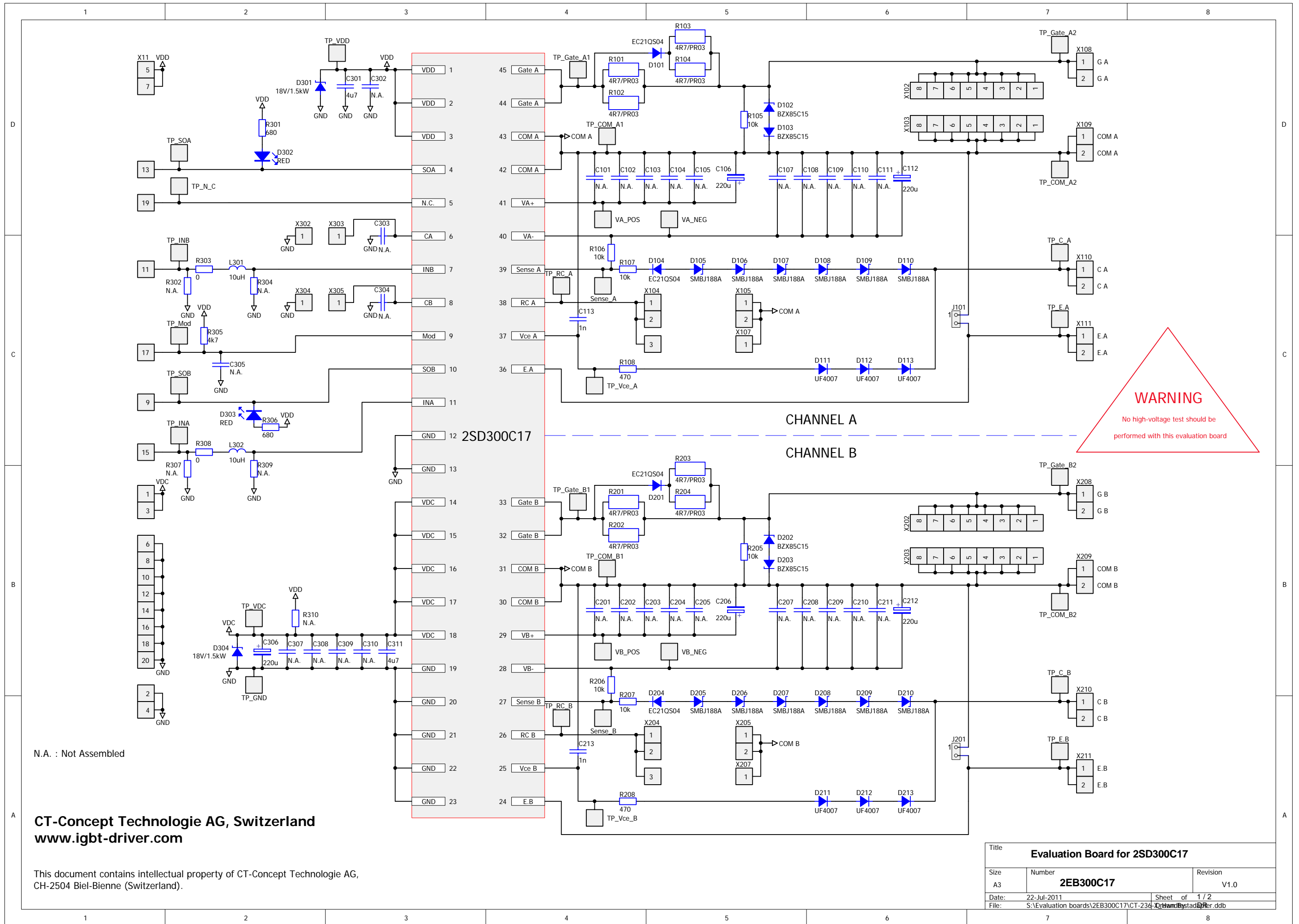


2EB300C17 Assembly Drawing (Top)

V1.0, 22-Jul-2011





WARNING
 No high-voltage test should be performed with this evaluation board

N.A. : Not Assembled

CT-Concept Technologie AG, Switzerland
www.igbt-driver.com

This document contains intellectual property of CT-Concept Technologie AG, CH-2504 Biel-Bienne (Switzerland).

Title		
Evaluation Board for 2SD300C17		
Size	Number	Revision
A3	2EB300C17	V1.0
Date:	22-Jul-2011	Sheet of 1 / 2
File:	S:\Evaluation boards\2EB300C17\CT-236-Order by Stadler.ddb	