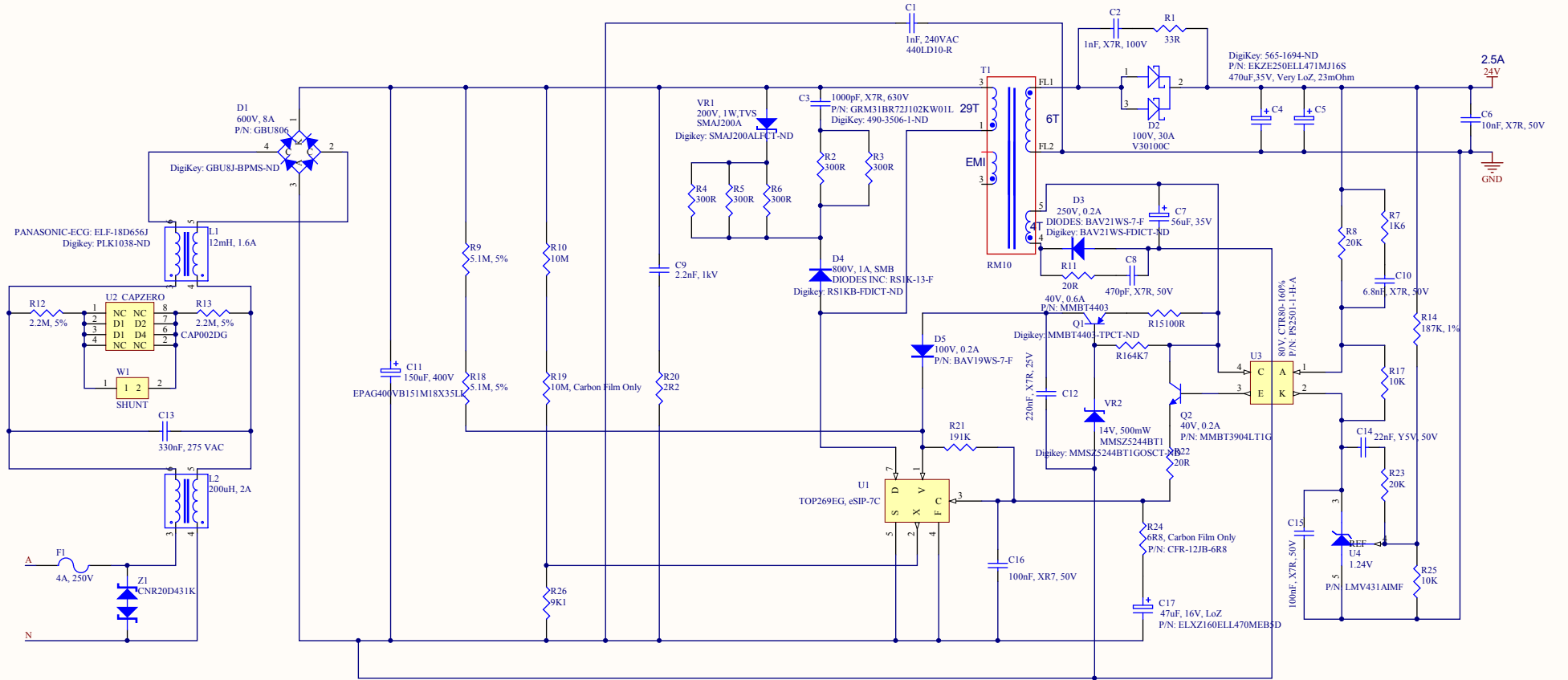


ZONE	REV	ECO No	DESCRIPTION	DATE	APPD
	1		Original	-	-



Customer **MEMCOR AUSTRALIA**

All-Systems Electronics P/L ©

MEMTROL-1 Switcher

Size: A3	Drawing Number: 703720	Revision: 1	Drawn by: JDN	All-Systems Electronics P/L 16 Hope Street Seven Hills NSW Australia 2147
Date: 19/05/2010	Time: 5:51:01 PM	Sheet 3 of 3	Appd by:	
File: C:\Users\john.ASE\Documents\New Allium Projects\SM1 Power IO\SM1 Switcher.SchDoc			App Date:	