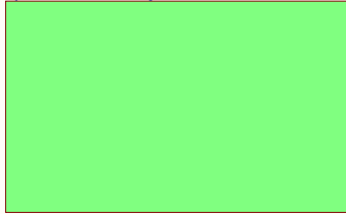
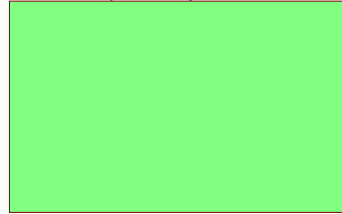


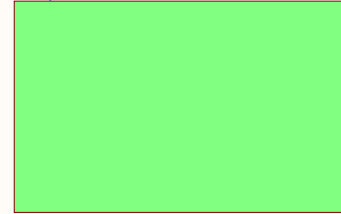
INPUT&PFC
InputCircuitandPFCPowerStage SchDoc



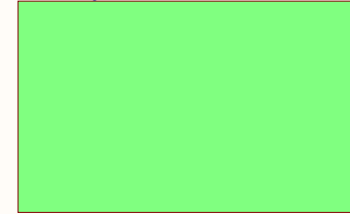
PFCandLLCStage
PFCControlInputsand LLCStage SchDoc



Standby
StandBy SchDoc



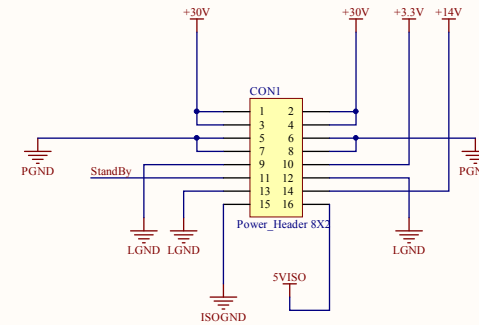
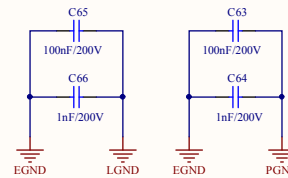
SwitchREG
SwitchModeRegulator SchDoc



TOP258PN
TOP258PN SchDoc

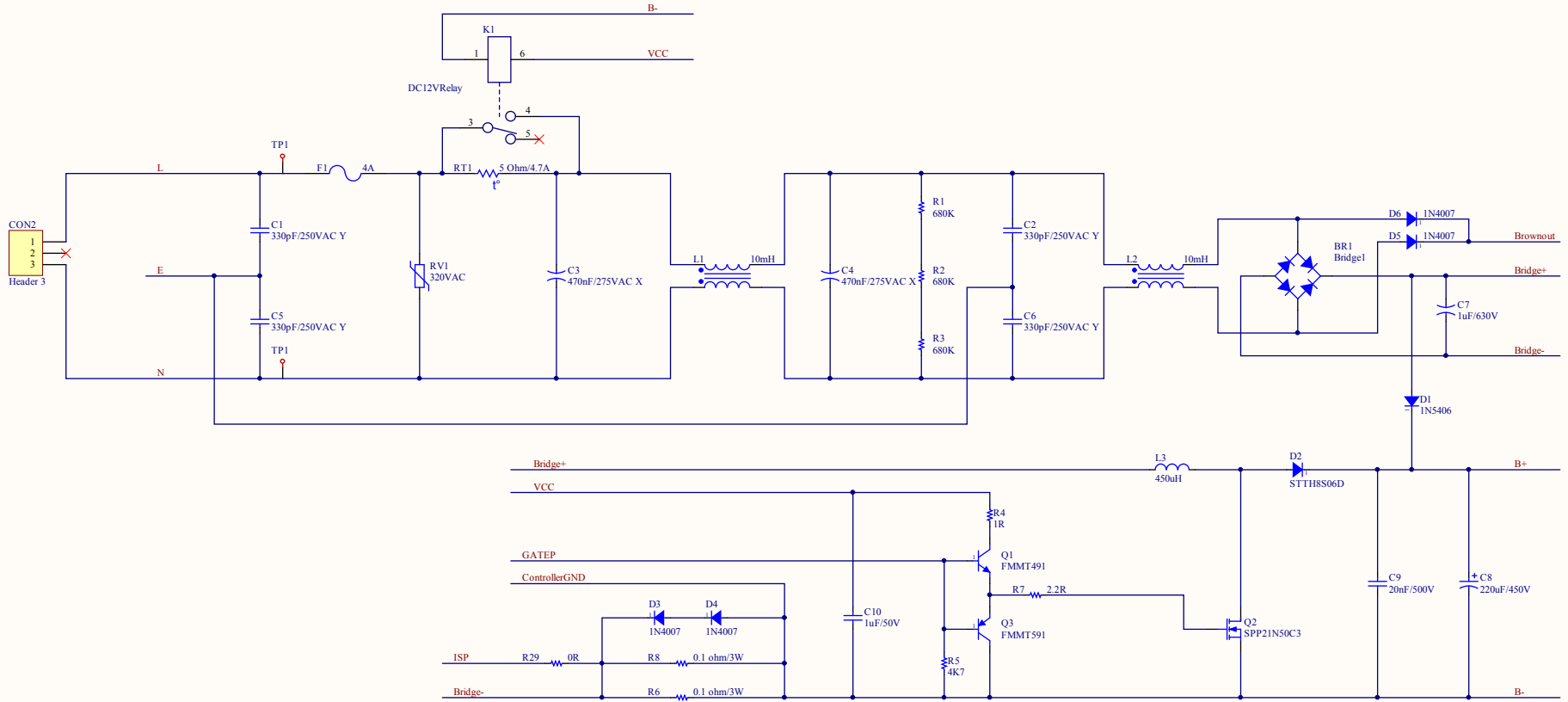


MainPowerOutput
MainPowerOutput.SchDoc



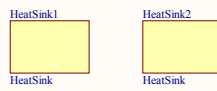
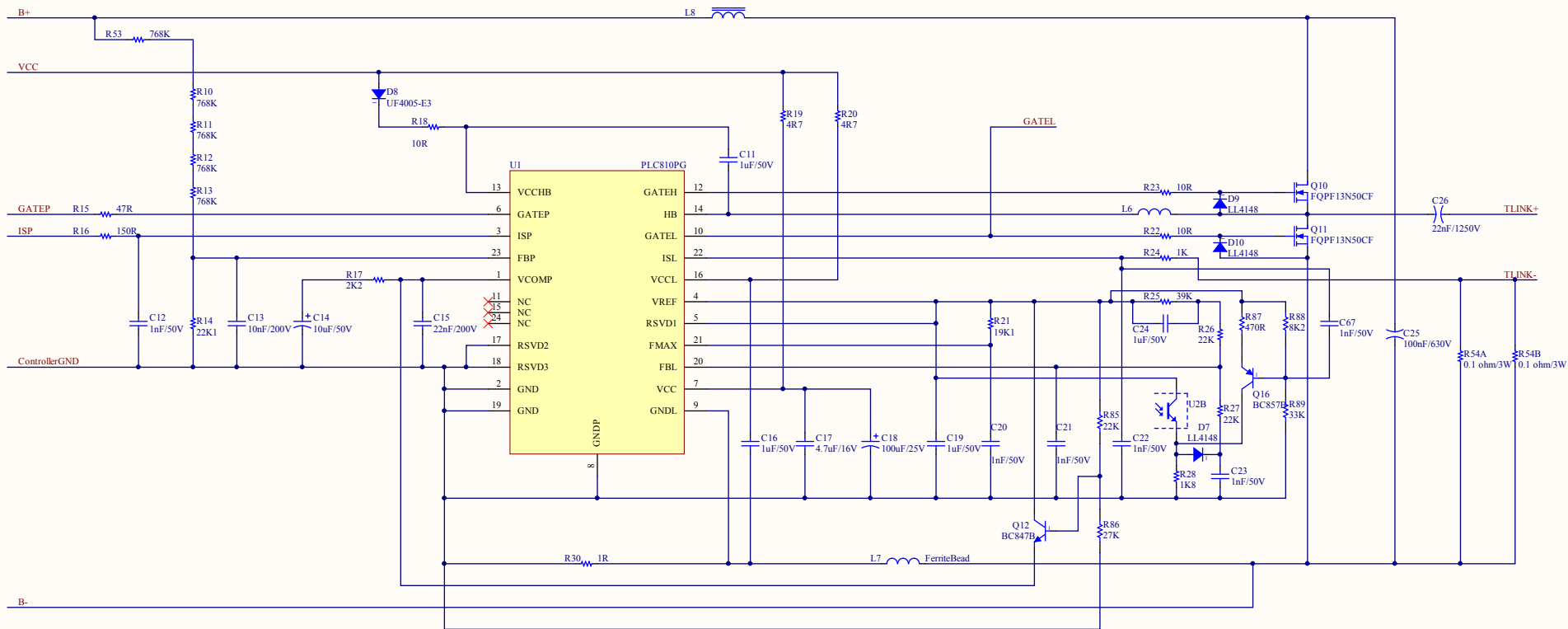
Axiom
 Audio Engineering Ltd
 75 Parnell Rise, Parnell
 Auckland, New Zealand
 www.axium.co.nz

Project: Digital Audio Amplifier SMPS		
Variant: PowerSupply		
Size: A3	DWG Number:	
DRWG By: *	CHK'D By: *	APP'D By: *
Revision: 1.1	Date: 30/11/2011	Sheet: 1 / 7



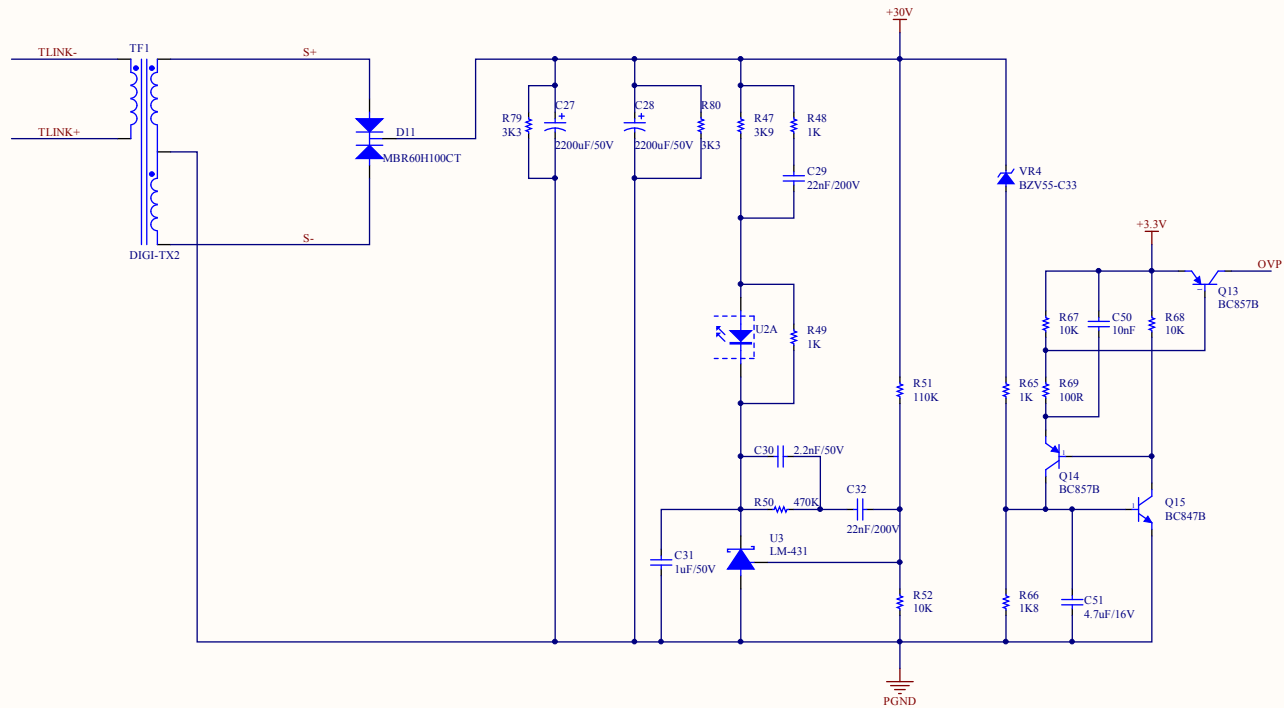
Axiu m
 Audio Engineering Ltd
 75 Parnell Rise, Parnell
 Auckland, New Zealand
 www.axium.co.nz

Project: Digital Audio Amplifier SMPS		
Variant: PowerSupply		
Size: A3	DWG Number: *	
DRWG By: *	CHK'D By: *	APP'D By: *
Revision: 1.1	Date: 30/11/2011	Sheet: 2 / 7



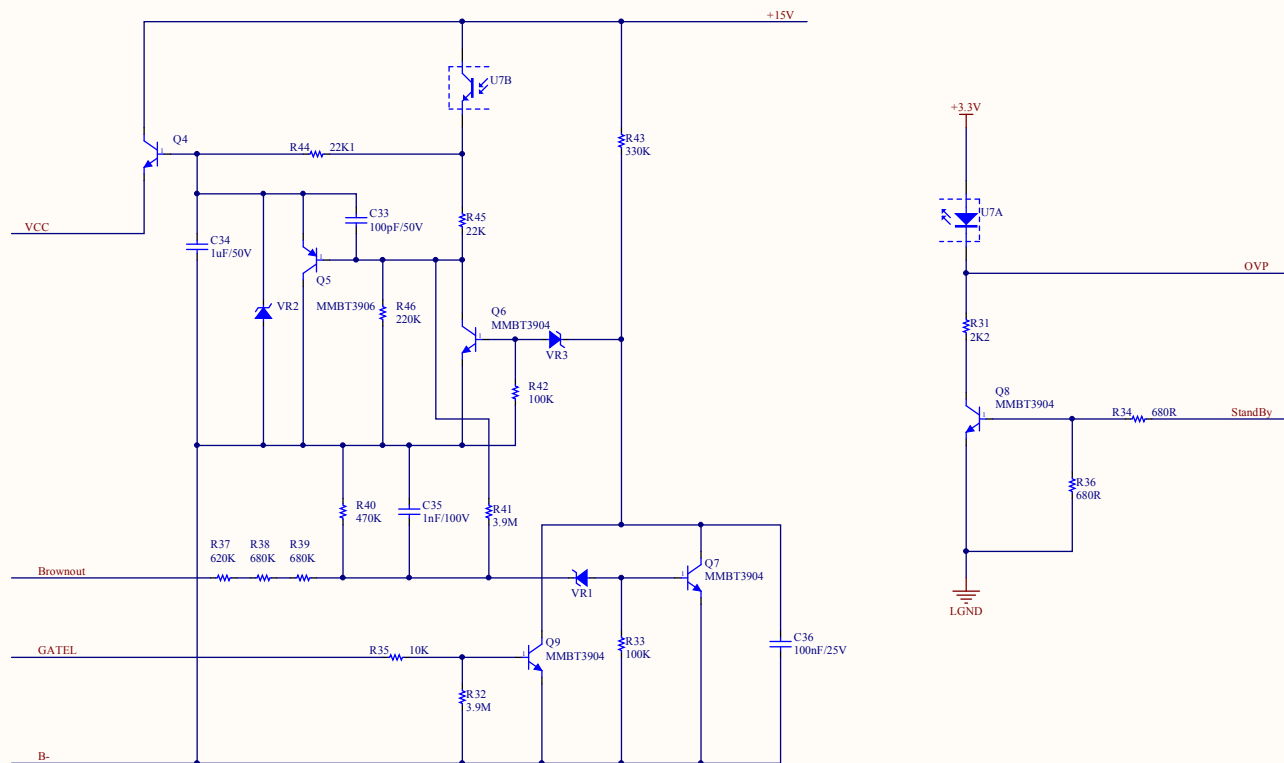
Axiom
 Audio Engineering Ltd
 75 Parnell Rise, Parnell
 Auckland, New Zealand
 www.axium.co.nz

Project: Digital Audio Amplifier SMPS		
Variant: PowerSupply		
Size: A3	DWG Number: *	
DRWG By: *	CHK'D By: *	APP'D By: *
Revision: 1.1	Date: 30/11/2011	Sheet: 3 / 7



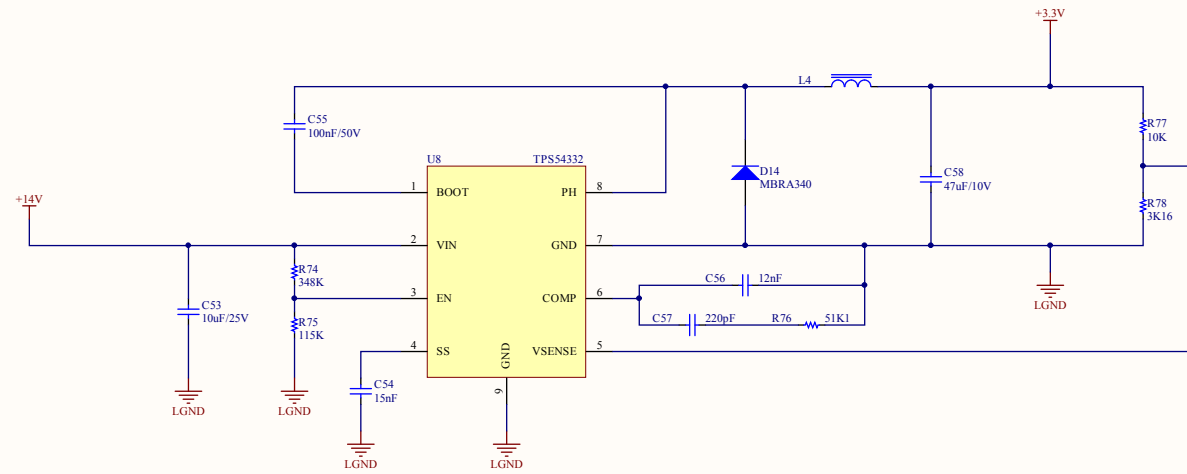
Axiu m
 Audio Engineering Ltd
 75 Parnell Rise, Parnell
 Auckland, New Zealand
 www.axium.co.nz

Project: Digital Audio Amplifier SMPS		
Variant: PowerSupply		
Size: A3	DWG Number: *	
DRWG By: *	CHK'D By: *	APP'D By: *
Revision: 1.1	Date: 30/11/2011	Sheet: 4 / 7



Axiu m
 Audio Engineering Ltd
 75 Parnell Rise, Parnell
 Auckland, New Zealand
 www.axium.co.nz

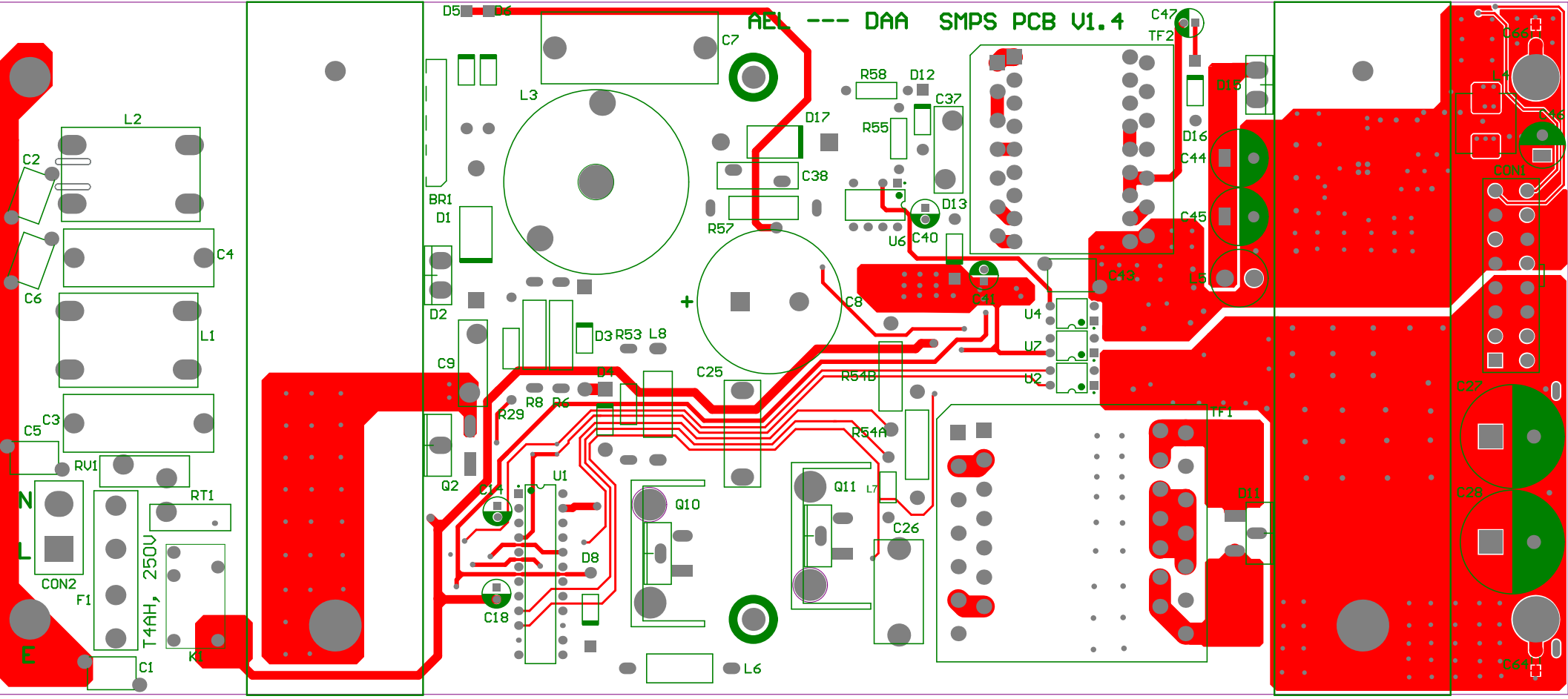
Project: Digital Audio Amplifier SMPS		
Variant: PowerSupply		
Size: A3	DWG Number: *	
DRWG By: *	CHK'D By: *	APP'D By: *
Revision: 1.1	Date: 30/11/2011	Sheet: 5 / 7

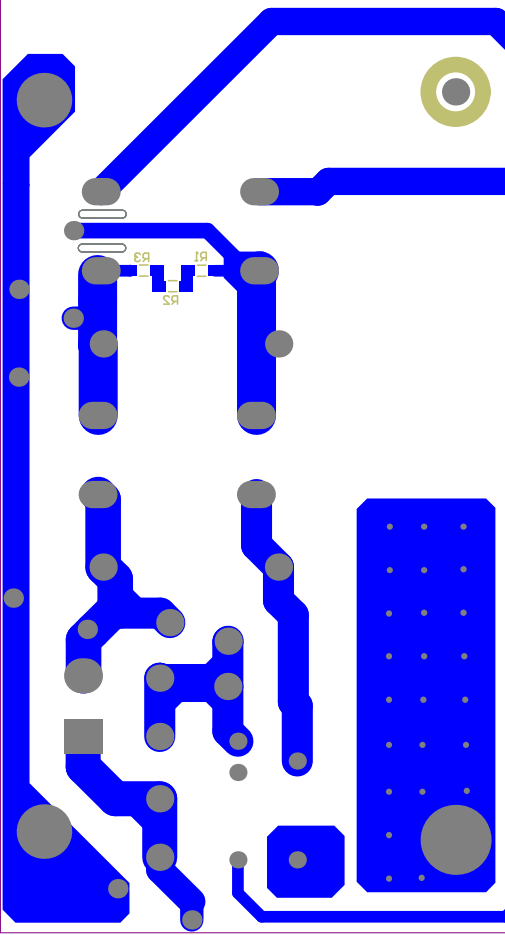
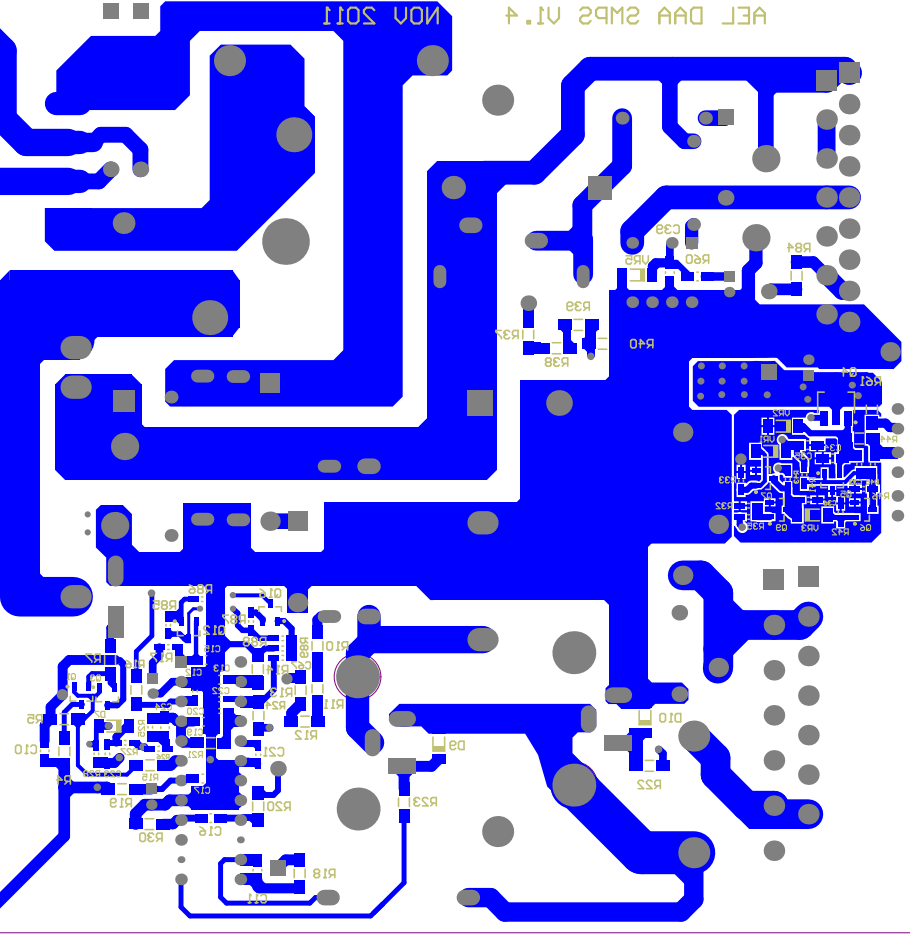
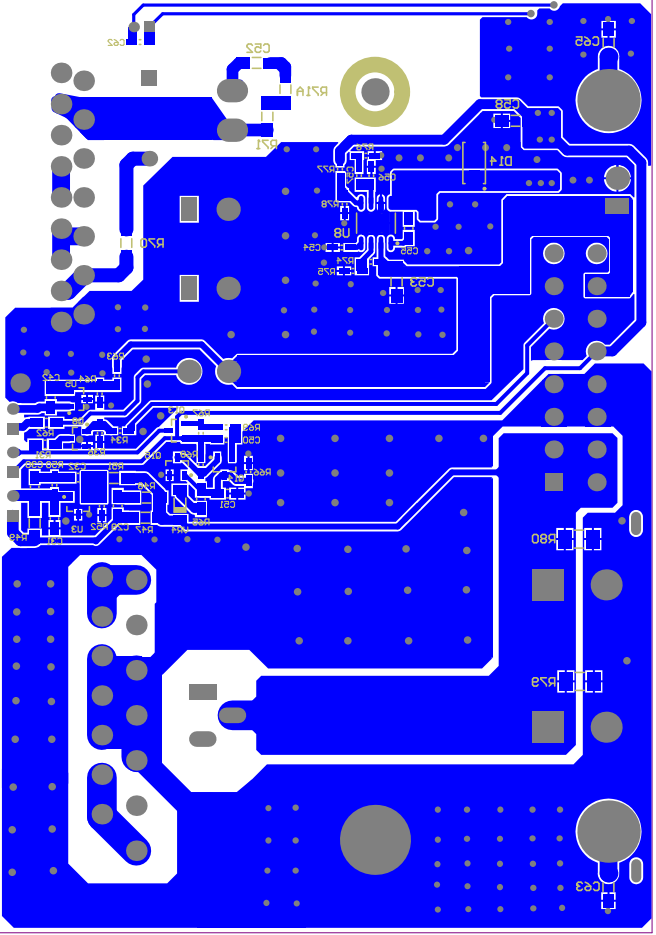


Audio Engineering Ltd
 75 Parnell Rise, Parnell
 Auckland, New Zealand
 www.axium.co.nz

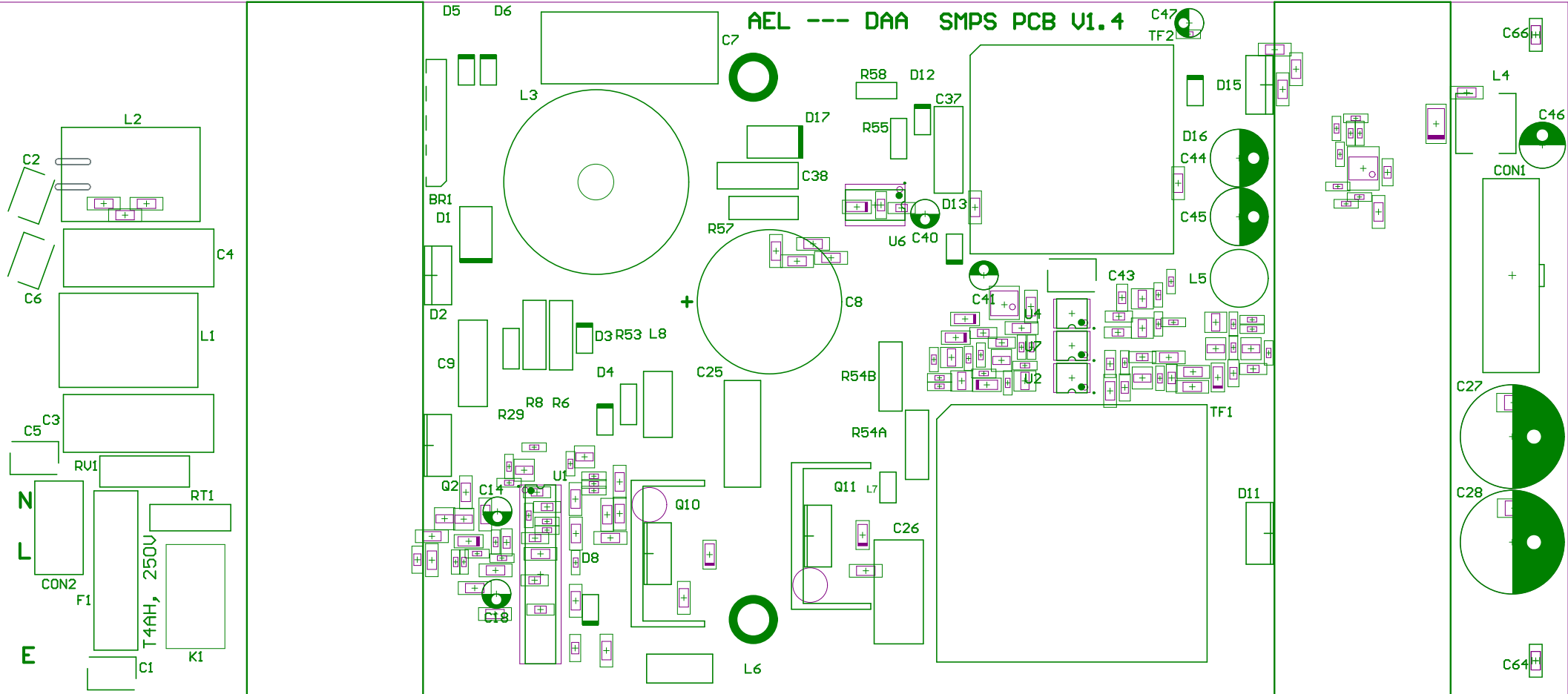
Project: Digital Audio Amplifier SMPS		
Variant: PowerSupply		
Size: A3	DWG Number: *	
DRWG By: *	CHK'D By: *	APP'D By: *
Revision: 1.1	Date: 30/11/2011	Sheet: 7 / 7

AEL --- DAA SMPS PCB V1.4





AEL --- DAA SMPS PCB V1.4



1105 VON 4 .11. 2PM2 V1.4 NOV 2011

