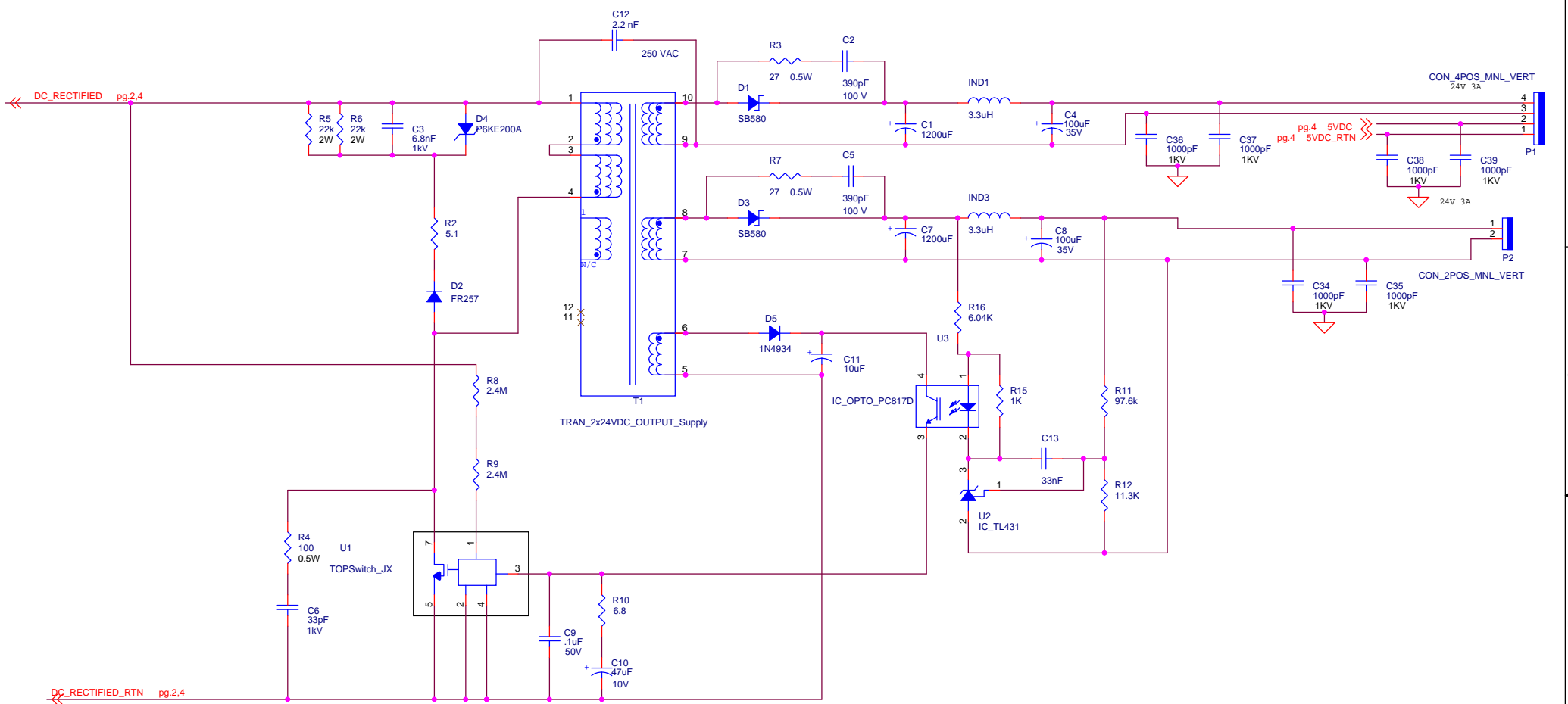
		Curve Beam 175 Titus Ave, Suite 300 Warrington, PA 18976 (267)483-8031 Phone (267)483-8086 Fax	
				DESIGN 24, 15, 5V DC Power Supply	
SIZE B	CAGE CODE PA001	SCHEMATIC NO. 40xx-3		REV 2	
SCALE N/A					SHEET 2 of 4
Monday, August 20, 2012					



DC_RECTIFIED pg.2,4

DC_RECTIFIED_RTIN pg.2,4

pg.4 5VDC

pg.4 5VDC_RTIN



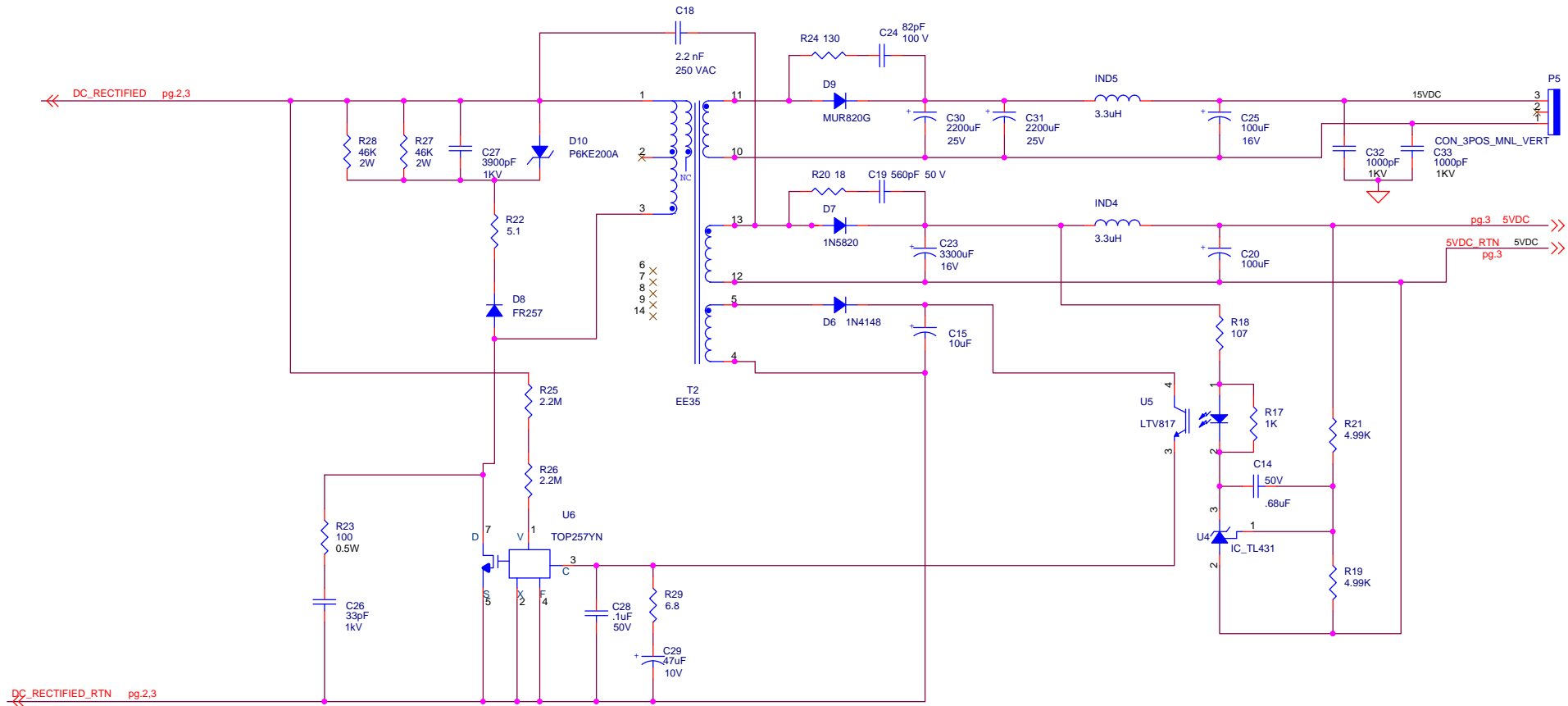
Curve Beam
175 Trus Ave, Suite 300
Warrington, PA 18976
(267)483-8031 Phone
(267)483-8086 Fax


DESIGN 24, 15, 5V DC Power Supply

SIZE B	CAGE CODE PA001	SCHEMATIC NO. 40xx-3	REV 2
--------	-----------------	----------------------	-------

SCALE N/A	SHEET 3 of 4
-----------	--------------

Monday, August 20, 2012



		Curve Beam 175 Trus Ave, Suite 300 Warrington, PA 18976 (267)483-8081 Phone (267)483-8086 Fax	
		DESIGN 24, 15, 5V DC Power Supply	
SIZE B	CAGE CODE PA001	SCHEMATIC NO. 40xx-3	REV 2
SCALE N/A		SHEET 4 of 4	

Wednesday, August 22, 2012