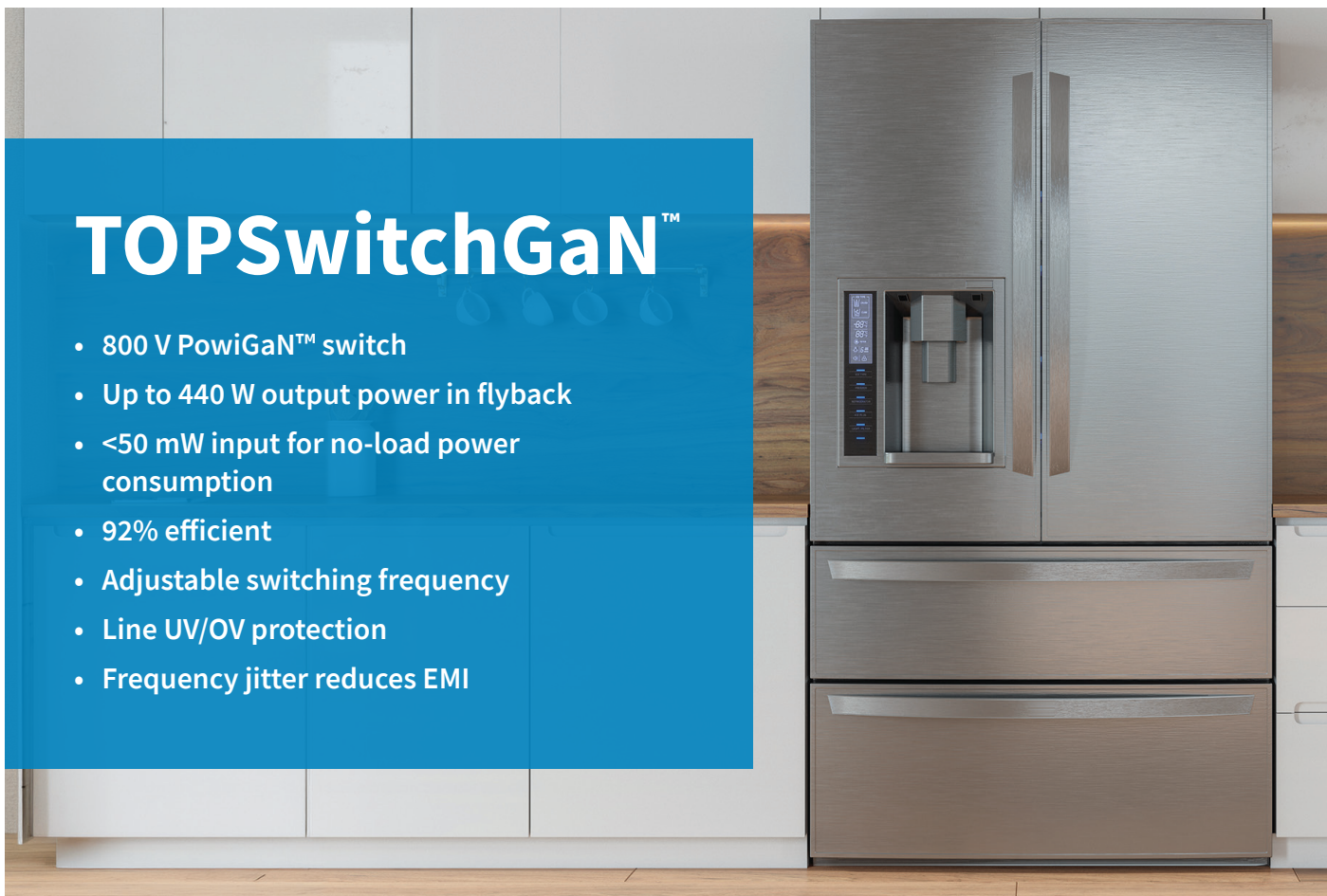
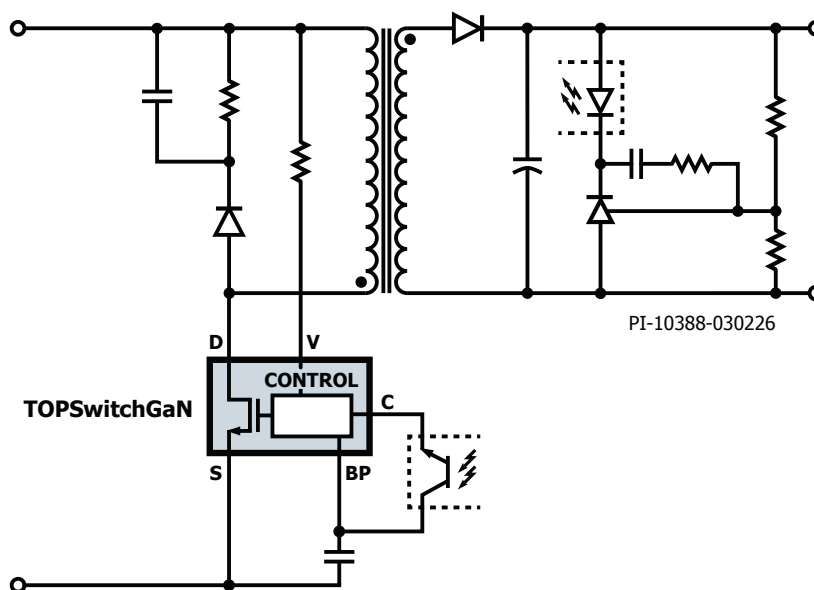


TOPSwitchGaN™

- 800 V PowiGaN™ switch
- Up to 440 W output power in flyback
- <50 mW input for no-load power consumption
- 92% efficient
- Adjustable switching frequency
- Line UV/OV protection
- Frequency jitter reduces EMI



Integrated Off-Line Switcher with EcoSmart™ Technology



Applications

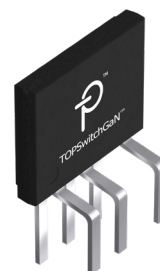
- Auxiliary, standby and bias power supplies for appliances and consumer products
- Tool chargers
- EV Charger and Industrial power supply

Output Power

	400 VDC	230 VAC ±15%	85-265 VAC
Part Numbers	Peak or Open Frame (W)	Peak or Open Frame (W)	Peak or Open Frame (W)
PCB Copper Area			
TOP7074K	90	85	70
TOP7075K	105	95	85
TOP5078K	180	170	135
Metal Heat Sink			
TOP7074E	200	185	130
TOP7075E	240	210	165
TOP5078E	440	400	300



eSOP™-12B Package



eSIP™-7C Package

Design Support

Data Sheet	TOPSwitchGaN data sheet (www.power.com/topswitchgan-data-sheet)
Application Note	TOPSwitchGaN family design guide (AN-130) (www.power.com/an-130)
Design Example	60 W single-output power supply (DER-1079) (www.power.com/der-1079)
Design Example	168 W single-output power supply (DER-1018) (www.power.com/der-1018)
Design Example	356 W dual-output power supply (RDK-1019) (www.power.com/rdk-1019)
Design Example	420W peak flyback solution for garage doors and gate openers (DER-1113) (www.power.com/der-1113)