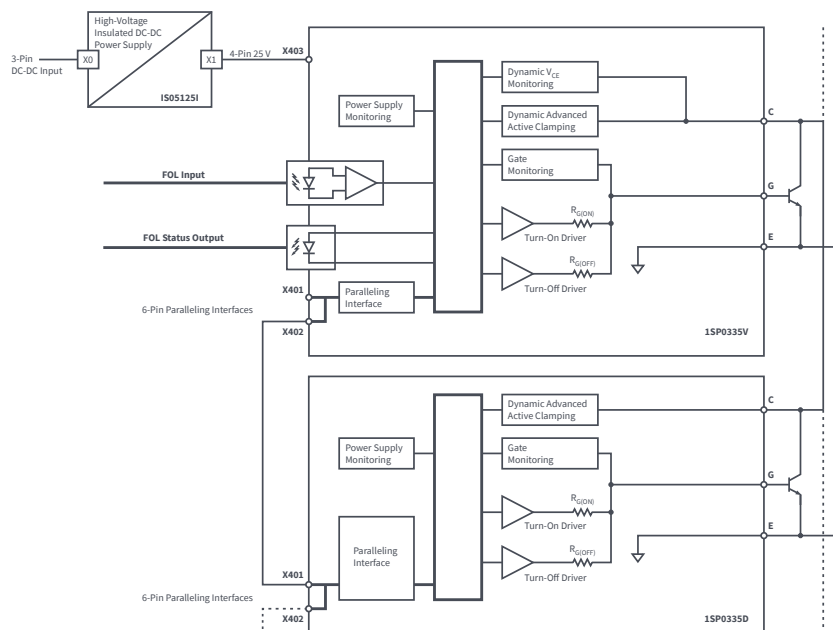


# SCALE™ -2 Plug-and-Play IGBT Gate Driver 1SP0335

- Fiber-optic interfaces
- For easy paralleling of up to four modules
- Supports two-level and multi-level topologies
- Dynamic IGBT short-circuit protection and dynamic advanced active clamping (DAAC)
- External DC-DC converter ISO5125I required



## Single-Channel Plug-and-Play Gate Driver for 3.3 kV to 6.5 kV (1SP0335 and DC-DC ISO5125I)



PI-8697-022820

## Applications

- Railway main inverters
- Railroad power supplies
- High-voltage DC transmission systems
- Flexible AC transmission systems
- Medium- and high-voltage drives
- Industrial motor drives

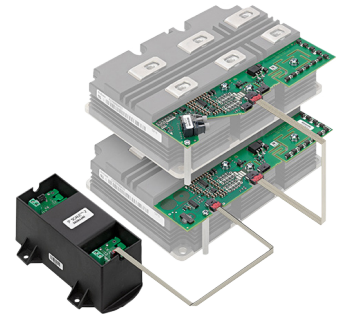
## Certifications

- Creepage and clearance according to IEC 60077-1
- UL compliant

## Product Details

Parameter	Min	Typical	Max	Unit
Nominal supply voltage		25		V
Supply current 1SP0335x2Mx @ $f_{in} = 0$ Hz		45		mA
Per additional 1SP0335D2Sx @ $f_{in} = 0$ Hz		20		mA
Output power (1SP0335V2Mx)			3.5	W
Output power (1SP0335D2Sx)			3.3	W
Gate voltage		+15 / -10		V
Peak output current (gate current)	-35		+35	A
Switching frequency ( $f_s^{-1}$ )	0		30	kHz
Duty cycle	0		100	%
Operating temperature	-40		+85	°C

1 Maximum switching frequency depends on the IGBT gate charge. See data sheet for actual value of specific driver.



## Design Support

Available Products      1SP0335 products list ([www.power.com/1SP0335](http://www.power.com/1SP0335))